

Free Standing Compact LED Light - FSCLED Series

Function

Free standing compact LED light fixture suitable for water features with shallow pools. The stainless steel fixture is corrosion resistant and its mirror finish and compact size make it suitable to be used in small and shallow water features. Each DMX controlled light is supplied individually addressed making it ideal for use with sequenced fountain system.

Available in white LED as on/off control for non-sequencing fountains or as optional DMX control for sequenced fountains. Auto colour changing available for DMX controlled RGBW lights. DMX controlled white light are dimmable as well as sequencing.



Specifications

Power

5W - 8W

Operating Voltage

24V DC

Min. - Max Voltage

18V DC - 30V DC

Operating mode:

Constant Current

Colours

RGBW / White

No. of LED

1

Beam Angle:

45° as standard/ Optional 15° lens (custom lens available upon request)

RGBW LED type

4 in 1 Cree LED

Dimmable:

DMX control

(0-10V DC available upon request)

Reverse polarity protection: Yes

Transient spike protection: Yes

High temperature protection: Yes

EMC complaint: Yes

Cable

4 C - 1 mm² (DMX light)

2 C - 1.5 mm² (White light)

Standard Cable Length

1.5 m

(Custom length available on request)

Material:

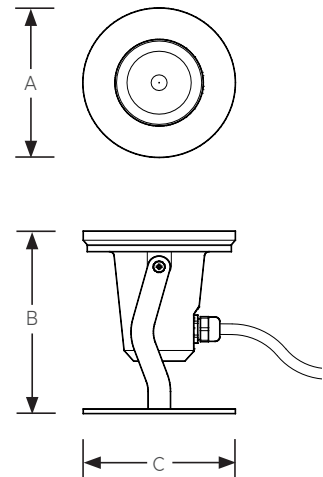
Stainless steel 316

Front Cover:

Polycarbonate clear cover with UV Protection

Protection Rating:


IP 68, IK 10



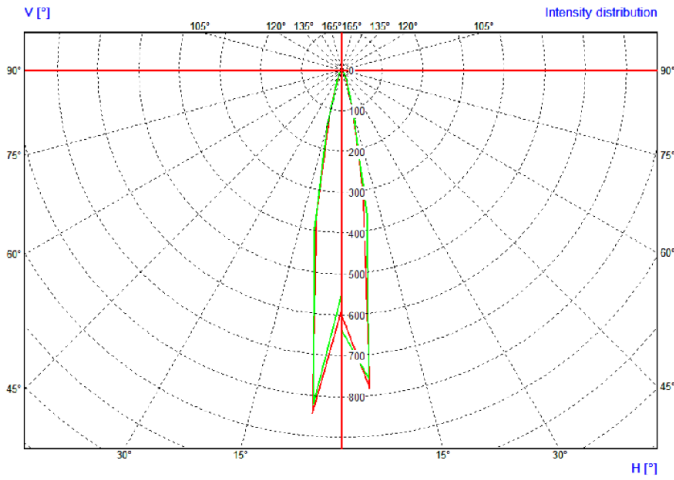
Model No.	Description	Material	Colour	Control	Power (W)	Luminous flux (lm)	A (mm)	B (mm)	C (mm)
FSCLED-S006	RGBW Free Standing Compact LED light	Stainless steel 316	RGBW	DMX	8	222	95	120	95
FSCLED-S010	Cool white Free Standing Compact LED light	Stainless steel 316	Cool white	On/off	5	291	95	120	95
FSCLED-S011	Warm white Free Standing Compact LED light	Stainless steel 316	Warm white	On/off	5	228	95	120	95

* Add suffix DMX to model number to order DMX controlled white light. i.e. FSCLED-S011-DMX

* Add suffix AUTO to model number to order Auto colour changing effect for RGBW light. i.e. FSCLED-S006-AUTO

Free Standing Compact LED Light	FSCLED Series	Model No. FSCLED	Rev. 1	
<p>The information contained in this drawing is the sole property of Aquashi. Any reproduction in part or as a whole without the written permission of Aquashi is prohibited. Aquashi reserves the right to update all designs, specifications and data sheets without prior notice.</p>				

Free Standing Compact LED Light - FSCLED Series



F Photometric Polar diagram: (RGBW)

FSCLED-010 - Cool White

Color Rendering Index [CRI] - 75

Correlated Color Temperature (K) [CCT] - 5200

FSCLED-011 - Warm White

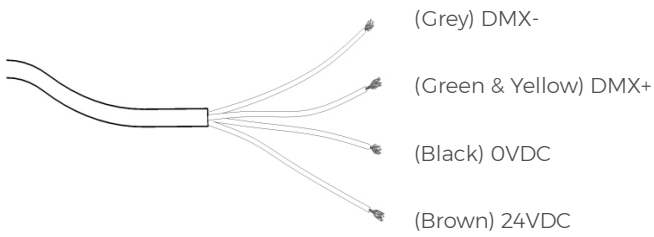
Color Rendering Index [CRI] - 85

Correlated Color Temperature (K) [CCT] - 3086

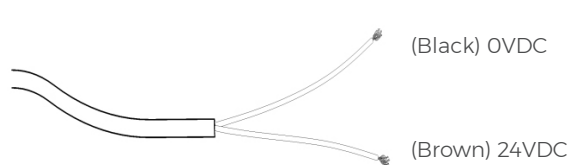
*IES files available on request.

Connection Diagram

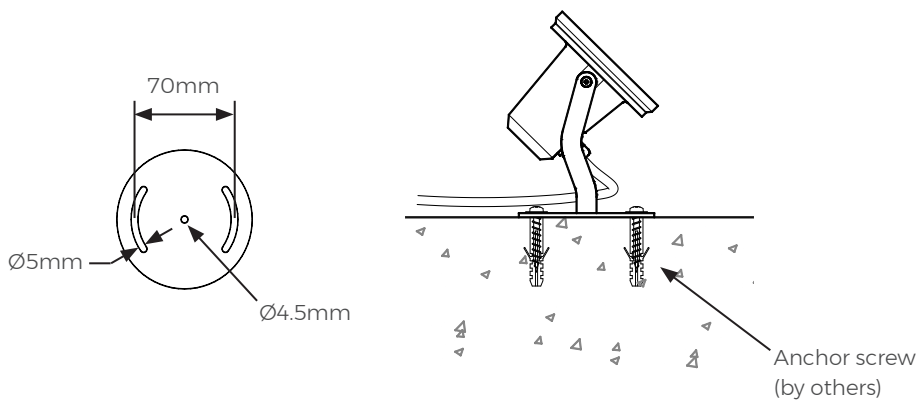
RGBW Light Cable




Warm White/ Cool White Light Cable



Typical Installation



Free Standing Compact LED Light	FSCLED Series	Model No. FSCLED	Rev. 1	
<p>The information contained in this drawing is the sole property of Aquashi. Any reproduction in part or as a whole without the written permission of Aquashi is prohibited. Aquashi reserves the right to update all designs, specifications and data sheets without prior notice.</p>				