

Adjustable Return Inlet - ARI Series

Function

Adjustable return inlet in stainless steel 316 for use in pools and fountain features. Top plate can be rotated to increase and decrease flow.



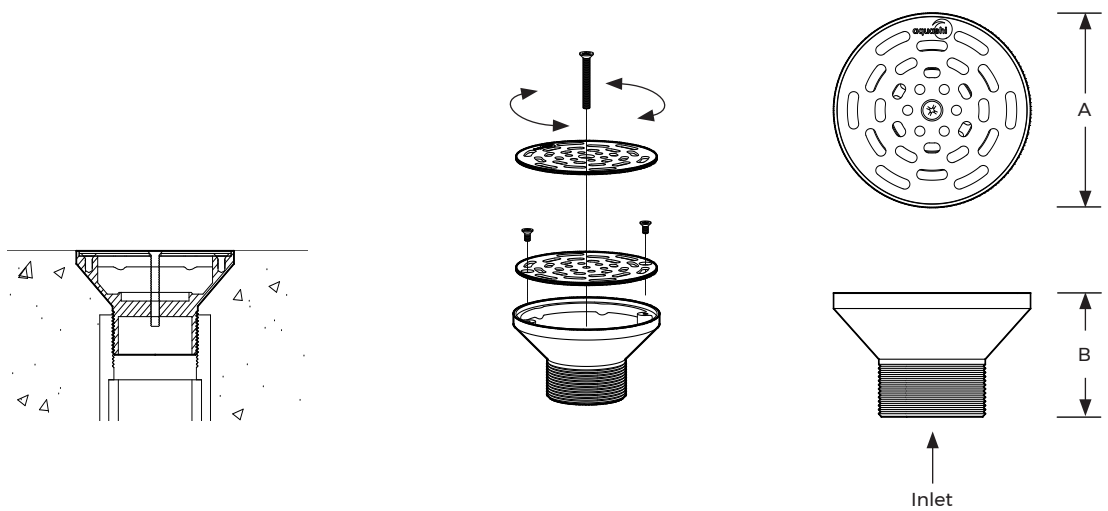
Specifications

Materials


Stainless steel 316

Connection type

Male thread



Model No.	Inlet (BSP)	A (mm)	B (mm)	Max. Flow (m ³ /Hr)
ARI-S201	2"	107	60	20
ARI-S301	3"	160	90	41

Ajustable Return Inlet	ARI Series	Model No. ARI	Rev. 1	
<p>The information contained in this drawing is the sole property of Aquashi. Any reproduction in part or as a whole without the written permission of Aquashi is prohibited. Aquashi reserves the right to update all designs, specifications and data sheets without prior notice.</p>				