

# Aquascreen

## Function

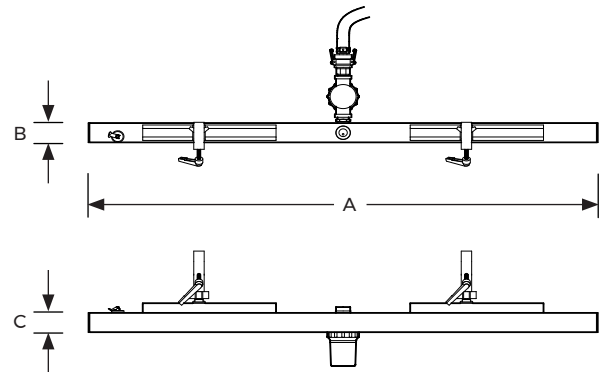
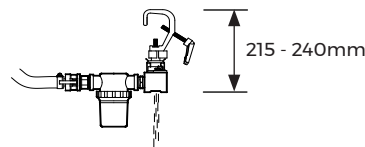
The Aquascreen is a modular system designed for displaying motion graphics or static images on water. The fine free-falling water droplets create a high resolution rear projection screen engineered for use with lasers, lighting and multimedia projection. The Aquascreen is created by combining nozzle bars to suit the project requirement. Ideal for events, weddings or any other special occasions, the screen can be installed as a temporary or permanent installation. The display can be enhanced with an audio system and sound effects if required. Designed for easy installation, maintenance and dismantling. The Aquascreen is engineered to avoid noise and splash from water.



## Specifications

### Materials

High Grade Aluminium Alloy  
Extrusion




### Single Aquascreen Nozzle Bar

Model No.	Inlet (BSP)	A	B	C	Spray Height (m)	1	2	3	4	5
Aquascreen	3/4"	1222	50	75	Flow (LPM)	40	40	40	40	40
					Head (m)	9.4	10.5	12.7	14.9	16.5

\* Contact Aquashi for more information.

## Sample Installation



Aquascreen	Aquascreen	Aquascreen	Rev. 1	
<p>The information contained in this drawing is the sole property of Aquashi. Any reproduction in part or as a whole without the written permission of Aquashi is prohibited. Aquashi reserves the right to update all designs, specifications and data sheets without prior notice.</p>				