

# Eyeball Return Inlet - ERI-S150

## Function

The Eyeball return inlet shall be used to provide a directive flow of water in swimming pools.

Recommended maximum flow 4.5 m<sup>3</sup>/Hr.

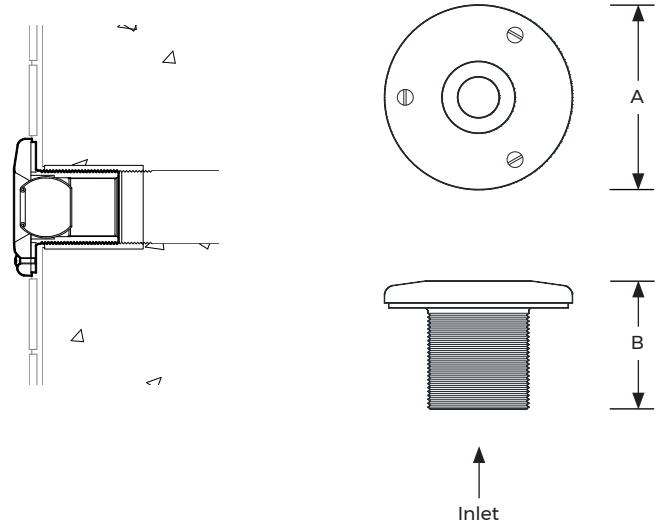
## Specifications

### Materials


Stainless steel 316

### Connection type

Male thread



Model No.	Inlet (BSP)	A (mm)	B (mm)	Max. Flow (m <sup>3</sup> /Hr)
ERI-S150	1-1/2"	90	50	4.5

Eyeball Return Inlet	ERI Series	Model No. ERI-S150	Rev. 0	
<p>The information contained in this drawing is the sole property of Aquashi. Any reproduction in part or as a whole without the written permission of Aquashi is prohibited. Aquashi reserves the right to update all designs, specifications and data sheets without prior notice.</p>				