

Flush Mounted Compact MR16 Light - FMC-S011

Function

Flush Mounted Compact Lights are suitable for water features, Jacuzzis and swimming pools and comes with an MR16 LED lamp. The stainless steel fixture is corrosion resistant and the mirror finish makes it more suitable to be used in small displays.



Specifications

Power

5W

Voltage

12V AC

Colours

Warm White

Cable

2 C - 1.5 mm² (White light)

Standard Cable Length

1.5 m

(Custom length available on request)

Lamp Connection:

MR16

Material:

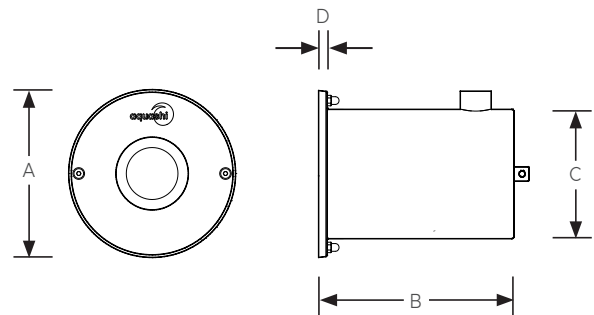
Stainless steel 316

Front Cover:

Polycarbonate clear cover with UV Protection

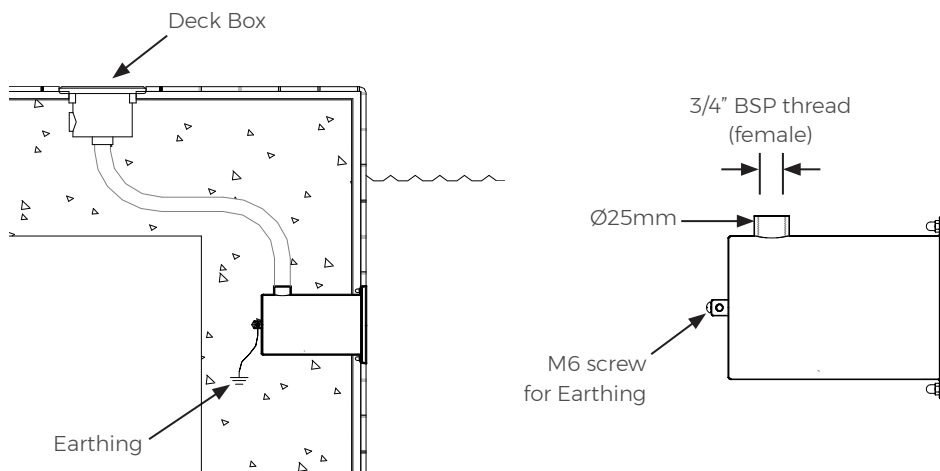
Protection Rating:


IP 68, IK 10



Model No.	Description	Material	Colour	Control	Power (W)	A (mm)	B (mm)	C (mm)	D (mm)
FMC-S011	Warm white 5W Flush Mounted Compact LED light	Stainless steel 316	Warm White	On/off	5	129	158	100	7

Typical Installation



Flush Mounted Compact Halogen Light	FMC Series	Model No. FMC-S011	Rev. 0	
<p>The information contained in this drawing is the sole property of Aquashi. Any reproduction in part or as a whole without the written permission of Aquashi is prohibited. Aquashi reserves the right to update all designs, specifications and data sheets without prior notice.</p>				