

# Flush Mounted Compact LED Light - FMCLED Series

## Function

Flush mounted compact LED Lights are suitable for water features, jacuzzis and swimming pools. The LED illumination comes with options of warm white, cool white or RGBW LED lighting. The stainless steel fixture is corrosion resistant. Its mirror finish and compact size make it suitable to be used in small and shallow water features. DMX controlled white light are dimmable as well as sequencing.

The stainless steel niche provides flush mounted installation with pool wall, Interior space for the length of cable to be coiled in order to allow for future maintenance of light without having to drain the pool.



## Specifications

**Power**

5W - 8W

**Operating Voltage**

24V DC

**Min. - Max Voltage**

18V DC - 30V DC

**Operating mode:**

Constant Current

**Colours**

RGBW / White

**No. of LED**

1

**Beam Angle:**

45 ° as standard/ Optional 15 ° lens (custom lens available upon request)

**RGBW LED type**

4 in 1 Cree LED

**Dimmable:**

DMX control

(0-10V DC available upon request)

**Reverse polarity protection:** Yes

**Transient spike protection:** Yes

**High temperature protection:** Yes

**EMC complaint:** Yes

**Cable**

4 C - 1 mm<sup>2</sup> (DMX light)

2 C - 1.5 mm<sup>2</sup> (White light)

**Standard Cable Length**

1.5 m

(Custom length available on request)

**Material:**

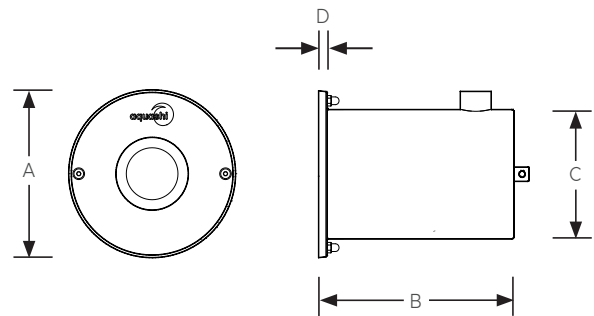
Stainless steel 316

**Front Cover:**

Polycarbonate clear cover with UV Protection

**Protection Rating:**

IP 68, IK 10



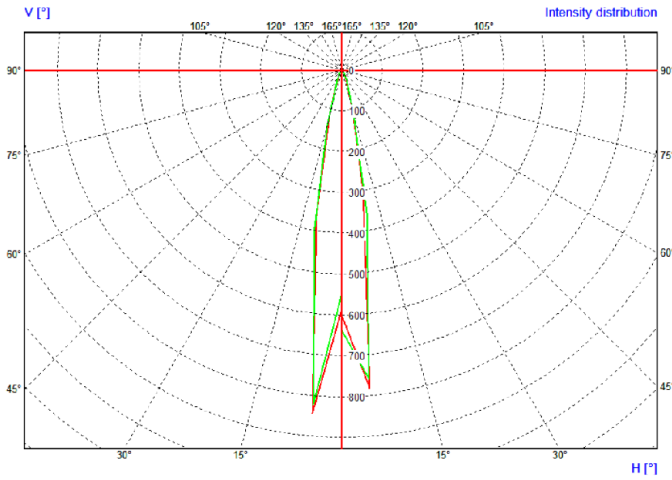
Model No.	Description	Material	Colour	Control	Power (W)	Luminous flux (lm)	A (mm)	B (mm)	C (mm)	D (mm)
FMCLED-S006	RGBW Flush Mounted Compact LED Light	Stainless steel 316	RGBW	DMX	8	222	129	158	100	7
FMCLED-S010	Cool white Flush Mounted Compact LED Light	Stainless steel 316	Cool white	On/off	5	291	129	158	100	7
FMCLED-S011	Warm white Flush Mounted Compact LED Light	Stainless steel 316	Warm white	On/off	5	228	129	158	100	7

\* Add suffix DMX to model number to order DMX controlled white light. i.e. FMCLED-S011-DMX

\* Add suffix AUTO to model number to order Auto colour changing effect for RGBW light. i.e. FMCLED-S006-AUTO

Flush Mounted Compact LED Light	FMCLED Series	Model No. FMCLED	Rev. 2	
<p>The information contained in this drawing is the sole property of Aquashi. Any reproduction in part or as a whole without the written permission of Aquashi is prohibited. Aquashi reserves the right to update all designs, specifications and data sheets without prior notice.</p>				

# Flush Mounted Compact LED Light - FMCLD Series



F Photometric Polar diagram: (RGBW)

**FMCLD-010 - Cool White**

Color Rendering Index [ CRI ] - 76.9  
 Correlated Color Temperature (K) [ CCT ] - 5200

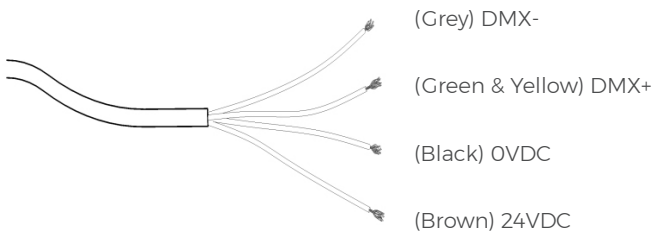
**FMCLD-011 - Warm White**

Color Rendering Index [ CRI ] - 87.3  
 Correlated Color Temperature (K) [ CCT ] - 3086

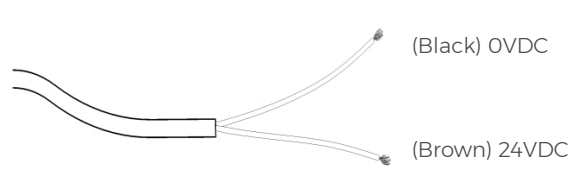
\*IES files available on request.

## Connection Diagram

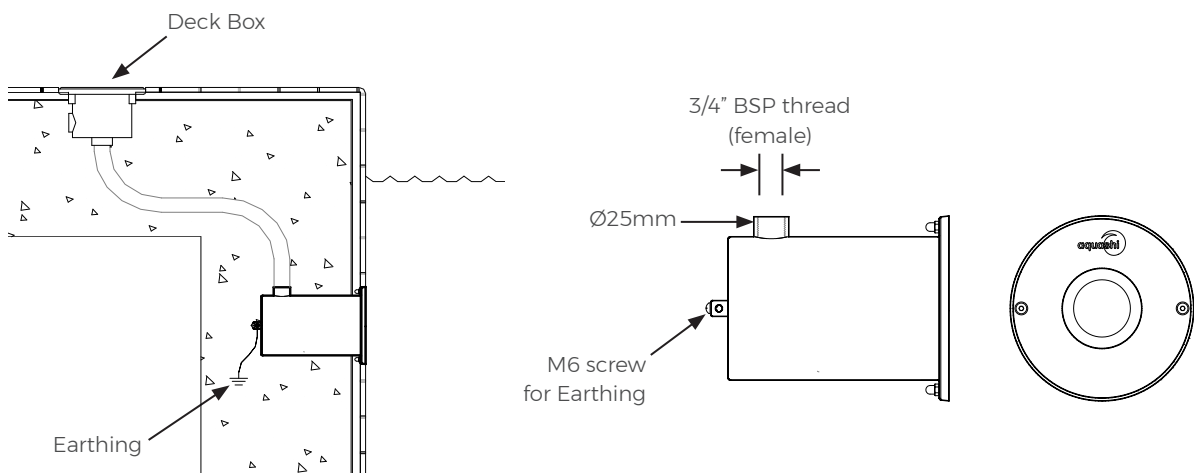
**RGBW Light Cable**



**Warm White/ Cool White Light Cable**



## Typical Installation



Flush Mounted Compact LED Light	FMCLD Series	Model No. FMCLD	Rev. 2	
The information contained in this drawing is the sole property of Aquashi. Any reproduction in part or as a whole without the written permission of Aquashi is prohibited. Aquashi reserves the right to update all designs, specifications and data sheets without prior notice.				