

Flush Mounted Mini LED Light - FMMLLED Series

Function

The Flush mounted mini LED lights are suitable for architectural lighting in swimming pools and water features. The light fixture can be installed using the stainless steel niche or into a 2"UPVC fitted pipe for custom or retrofit installation.

Available in 5W white or 8W RGBW (DMX controlled). Each DMX controlled light is supplied with an individual address making it ideal for use with sequenced fountain system. DMX controlled white light are dimmable as well as sequencing.



Specifications

Power

5W - 8W

Operating Voltage

24V DC

Min. - Max Voltage

18V DC - 30V DC

Operating mode:

Constant Current

Colours

RGBW / White

No. of LED

1

Beam Angle:

45° as standard/ Optional 15° lens (custom lens available upon request)

RGBW LED type

4 in 1 Cree LED

Dimmable:

DMX control

(0-10V DC available upon request)

Reverse polarity protection: Yes

Transient spike protection: Yes

High temperature protection: Yes

EMC complaint: Yes

Cable

4 C - 1 mm² (DMX light)

2 C - 1.5 mm² (White light)

Standard Cable Length

1.5 m (H07RN-F)

(Custom length available on request)

Material:

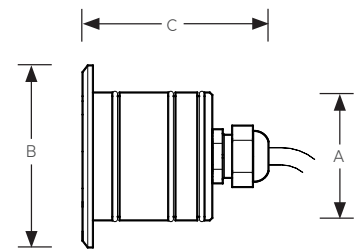
Brass / Stainless steel 316

Front Cover:

Polycarbonate clear cover with UV Protection

Protection Rating:


IP 68, IK 10



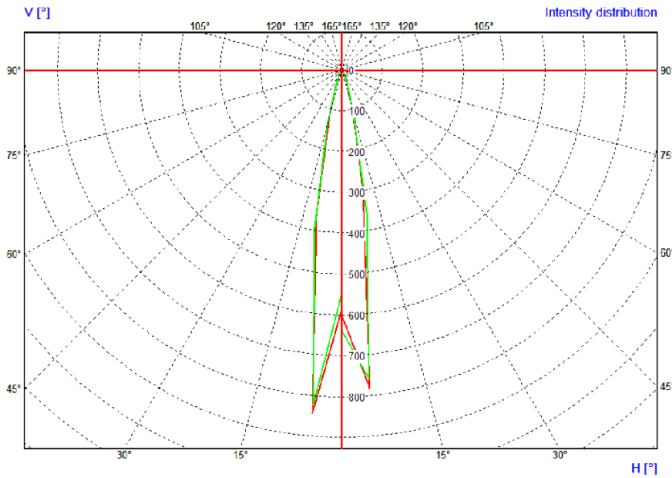
Model No.	Description	Material	Colour	Control	Power (W)	Luminous flux (lm)	A (mm)	B (mm)	C (mm)
FMMLED-S006	RGBW Flush Mounted Mini LED light	Stainless steel 316	RGBW	DMX	8	126	52	74	72
FMMLED-S010	Cool white Flush Mounted Mini LED light	Stainless steel 316	Cool white (5200K)	On/off	5	291	52	74	72
FMMLED-S011	Warm white Flush Mounted Mini LED light	Stainless steel 316	Warm white (3000K)	On/off	5	228	52	74	72

* Add suffix DMX to model number to order DMX controlled white light. i.e. FMMLED-S011-DMX

* Add suffix AUTO to model number to order Auto colour changing effect for RGBW light. i.e. FMMLED-S006-AUTO

Flush Mounted Mini LED Light	FMMLED Series	Model No. FMMLED	Rev. 3	
<p>The information contained in this drawing is the sole property of Aquashi. Any reproduction in part or as a whole without the written permission of Aquashi is prohibited. Aquashi reserves the right to update all designs, specifications and data sheets without prior notice.</p>				

Flush Mounted Mini LED Light - FMMLLED Series



F Photometric Polar diagram: (RGBW)

FMMLLED-010 - Cool White

Color Rendering Index [CRI] - 76.9
 Correlated Color Temperature (K) [CCT] - 5200

FMMLLED-011 - Warm White

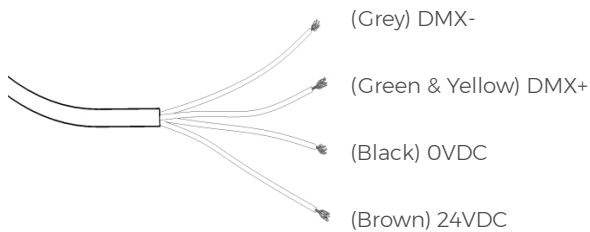
Color Rendering Index [CRI] - 87.3
 Correlated Color Temperature (K) [CCT] - 3086

(Custom color temperature available upon request)

*IES files available on request.

Connection Diagram

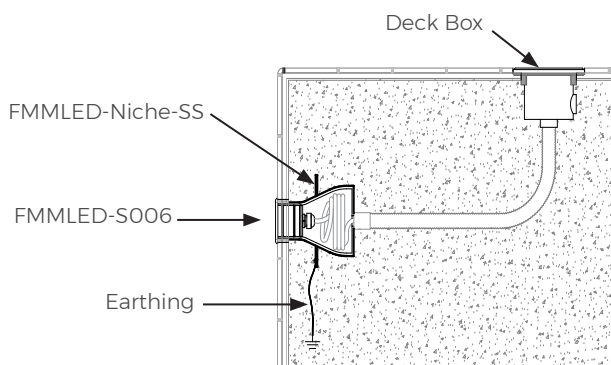
RGBW Light Cable / DMX controlled white light



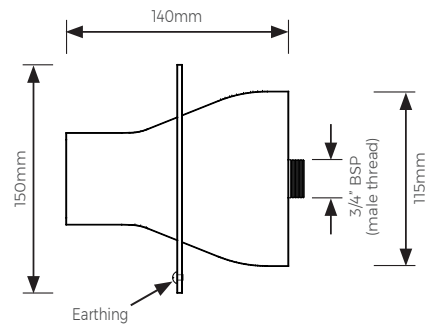
Warm White/ Cool White Light Cable



Typical Installation




FMMLLED-Niche-SS



Accessories



FMMLLED-Niche-SS
 * Niche for FMMLLED
 (Available upon request)

Flush Mounted Mini LED light	FMMLLED Series	Model No. FMMLLED	Rev. 3	
The information contained in this drawing is the sole property of Aquashi. Any reproduction in part or as a whole without the written permission of Aquashi is prohibited. Aquashi reserves the right to update all designs, specifications and data sheets without prior notice.				