

Inlet Fitting - IFF Series

Function

Cast bronze heavy duty floor mounted inlet fitting designed for concrete pools. The cast bronze diffuser plate disperses flow and reduces surface turbulence. Ideal for water falls and cascading water features which require large flow. Optional adjustable flow regulator.

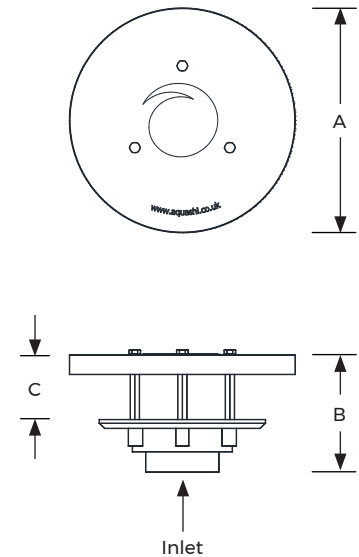
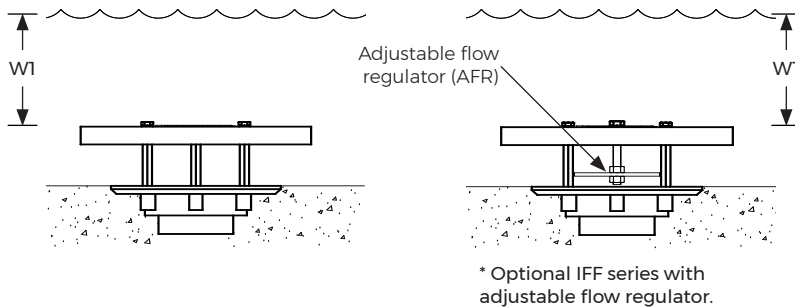
Specifications

Materials

Cast Bronze body, Bronze anti-vortex plate with Stainless steel 316 fasteners. Optional stainless steel 316 Adjustable flow regulator

Connection type

Female thread



Model No.	Inlet (BSP)	A (mm)	B (mm)	C (mm)	Min. Water Level W1 (mm)	Recommended Max. Flow (m ³ H)
IFF-200	2"	200	143	85	80	18
IFF-300	3"	305	154	100	100	41
IFF-400	4"	305	154	100	200	67
IFF-600	6"	406	178	100	254	144
IFF-800	8"	406	254	178	260	262

* Add suffix AFR to model number to order with Adjustable flow regulator. i.e. IFF-400-AFR

Inlet Fitting	IFF Series	Model No. IFF	Rev. 1	
<p>The information contained in this drawing is the sole property of Aquashi. Any reproduction in part or as a whole without the written permission of Aquashi is prohibited. Aquashi reserves the right to update all designs, specifications and data sheets without prior notice.</p>				