

Inlet Fitting with Adjustable diffuser plate - IFS Series

Function

Inlet fitting with adjustable diffuser plate is made with Stainless steel 316. Designed for floor mounted installation in concrete pools and fountain features.

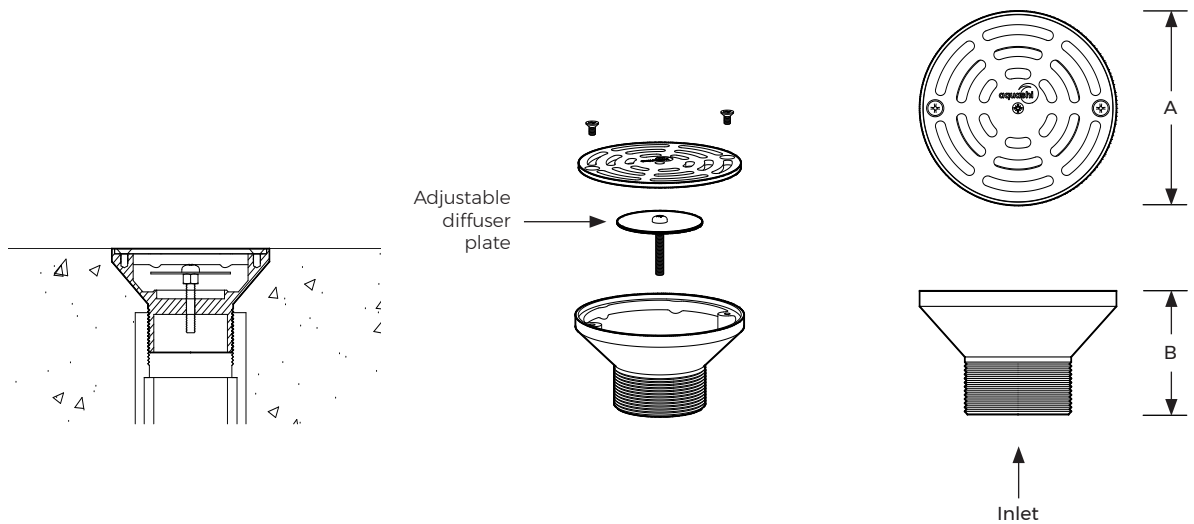
Specifications

Materials


Stainless steel 316

Connection type

Male thread



Model No.	Inlet (BSP)	A (mm)	B (mm)	Max. Flow (m ³ /Hr)
IFS-201	2"	107	60	20
IFS-301	3"	160	90	41

Inlet Fitting	IFS Series	Model No. IFS	Rev. 1	
<p>The information contained in this drawing is the sole property of Aquashi. Any reproduction in part or as a whole without the written permission of Aquashi is prohibited. Aquashi reserves the right to update all designs, specifications and data sheets without prior notice.</p>				