

# Linear Insert

## Function

Linear Inserts are available in 1 meter to 3 meters length. Custom lengths and shapes are available on request. Burners can be fuelled either with natural or propane gas (specify on request) and can have a Manual or Automated system operation.

The Automated fire burner assembly comes with flame monitoring technology to maximize safety. Burners are designed for outdoor use, durable and reliable in extreme weather conditions. All of the products are CSA/AGA approved.



## Specifications

### Gas Type

Natural Gas [Nominal pressure: 7"wc]  
Propane Gas [Nominal pressure: 11"wc]

\*\* Automated system for both Natural Gas and Propane Gas fire bowl includes.

- UL control Panel (can control up to 4 Burners)
- CSA approved burner assembly with flame monitoring technology
- Can be operated remotely from any home or pool operating system
- Custom lengths and shapes are available on request.

### (Automated operations)

### Input Voltage

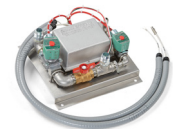
220VAC / 50Hz  
(110V Available on request)

### Output Voltage

24VAC

### U.L. Control Panel

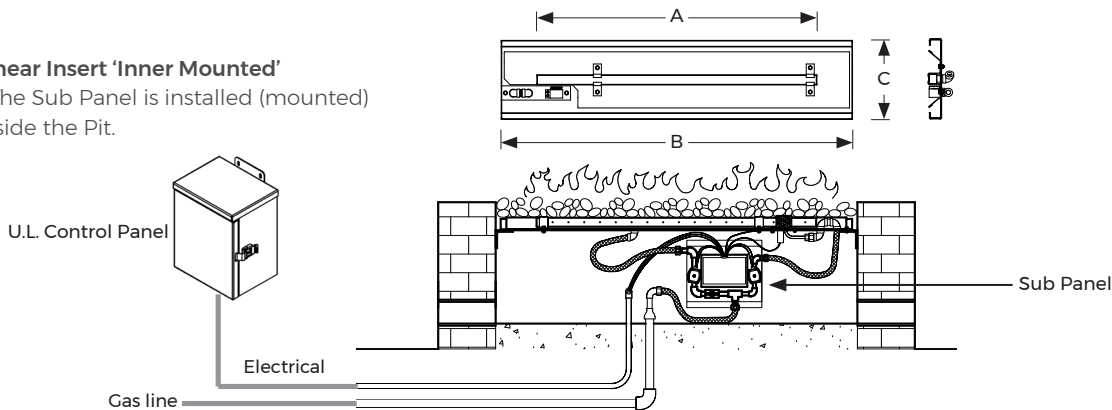
NEMA3R outdoor box  
Protection: IP54



Sub Panel

### Linear Insert 'Inner Mounted'

- The Sub Panel is installed (mounted) inside the Pit.



Model No.	Description	Fuel	Gas Flow (btu/hr)	A (mm)	B (mm)	C (mm)
LBIN36-A-N	36" Linear Burner 'Inner mount' - Natural Gas	Natural Gas	120,000	914	1524	330
LBIN48-A-N	48" Linear Burner 'Inner mount' - Natural Gas	Natural Gas	155,000	1219	1829	330
LBIN60-A-N	60" Linear Burner 'Inner mount' - Natural Gas	Natural Gas	190,000	1524	2164	330
LBIN72-A-N	72" Linear Burner 'Inner mount' - Natural Gas	Natural Gas	225,000	1829	2438	330
LBIN84-A-N	84" Linear Burner 'Inner mount' - Natural Gas	Natural Gas	260,000	2134	2743	330
LBIN96-A-N	96" Linear Burner 'Inner mount' - Natural Gas	Natural Gas	295,000	2438	3048	330
LBIN108-A-N	108" Linear Burner 'Inner mount' - Natural Gas	Natural Gas	330,000	2743	3353	330
LBIN120-A-N	120" Linear Burner 'Inner mount' - Natural Gas	Natural Gas	365,000	3048	3568	330

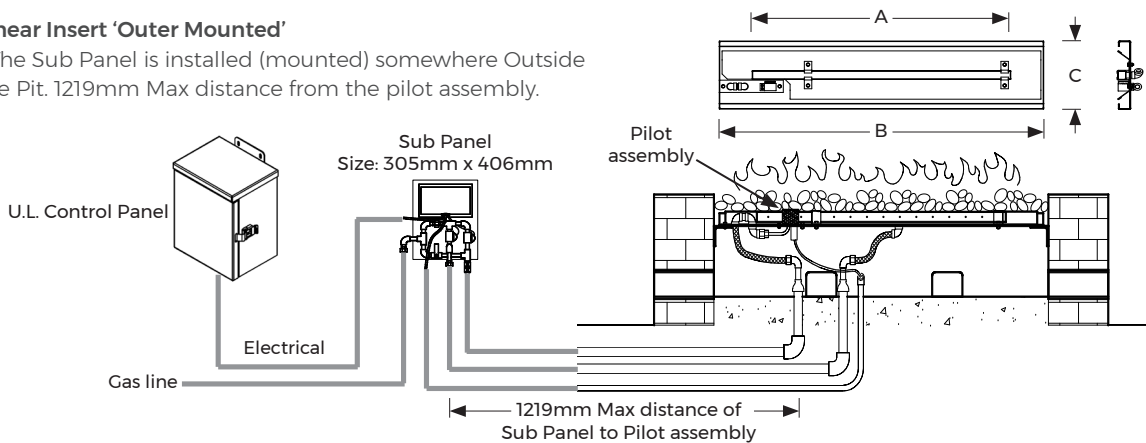
Linear Insert	LB Series	Model No. LB	Rev. 0	
<p>The information contained in this drawing is the sole property of Aquashi. Any reproduction in part or as a whole without the written permission of Aquashi is prohibited. Aquashi reserves the right to update all designs, specifications and data sheets without prior notice.</p>				

# Linear Insert

Model No.	Description	Fuel	Gas Flow (btu/hr)	A (mm)	B (mm)	C (mm)
LBIN36-A-P	36" Linear Burner 'Inner mount' - Propane Gas	Propane Gas	120,000	914	1524	330
LBIN48-A-P	48" Linear Burner 'Inner mount' - Propane Gas	Propane Gas	155,000	1219	1829	330
LBIN60-A-P	60" Linear Burner 'Inner mount' - Propane Gas	Propane Gas	190,000	1524	2164	330
LBIN72-A-P	72" Linear Burner 'Inner mount' - Propane Gas	Propane Gas	225,000	1829	2438	330
LBIN84-A-P	84" Linear Burner 'Inner mount' - Propane Gas	Propane Gas	260,000	2134	2743	330
LBIN96-A-P	96" Linear Burner 'Inner mount' - Propane Gas	Propane Gas	295,000	2438	3048	330
LBIN108-A-P	108" Linear Burner 'Inner mount' - Propane Gas	Propane Gas	330,000	2743	3353	330
LBIN120-A-P	120" Linear Burner 'Inner mount' - Propane Gas	Propane Gas	365,000	3048	3568	330

### Linear Insert 'Outer Mounted'

- The Sub Panel is installed (mounted) somewhere Outside the Pit. 1219mm Max distance from the pilot assembly.



Model No.	Description	Fuel	Gas Flow (btu/hr)	A (mm)	B (mm)	C (mm)
LBOU36-A-N	36" Linear Burner 'Outer mount' - Natural Gas	Natural Gas	120,000	914	1118	254
LBOU48-A-N	48" Linear Burner 'Outer mount' - Natural Gas	Natural Gas	155,000	1219	1422	254
LBOU60-A-N	60" Linear Burner 'Outer mount' - Natural Gas	Natural Gas	190,000	1524	1727	254
LBOU72-A-N	72" Linear Burner 'Outer mount' - Natural Gas	Natural Gas	225,000	1829	2032	254
LBOU84-A-N	84" Linear Burner 'Outer mount' - Natural Gas	Natural Gas	260,000	2134	2337	254
LBOU96-A-N	96" Linear Burner 'Outer mount' - Natural Gas	Natural Gas	295,000	2438	2642	254
LBOU108-A-N	108" Linear Burner 'Outer mount' - Natural Gas	Natural Gas	330,000	2743	2946	254
LBOU120-A-N	120" Linear Burner 'Outer mount' - Natural Gas	Natural Gas	365,000	3048	3251	254
LBOU36-A-P	36" Linear Burner 'Outer mount' - Propane Gas	Propane Gas	120,000	914	1118	254
LBOU48-A-P	48" Linear Burner 'Outer mount' - Propane Gas	Propane Gas	155,000	1219	1422	254
LBOU60-A-P	60" Linear Burner 'Outer mount' - Propane Gas	Propane Gas	190,000	1524	1727	254
LBOU72-A-P	72" Linear Burner 'Outer mount' - Propane Gas	Propane Gas	225,000	1829	2032	254
LBOU84-A-P	84" Linear Burner 'Outer mount' - Propane Gas	Propane Gas	260,000	2134	2337	254
LBOU96-A-P	96" Linear Burner 'Outer mount' - Propane Gas	Propane Gas	295,000	2438	2642	254
LBOU108-A-P	108" Linear Burner 'Outer mount' - Propane Gas	Propane Gas	330,000	2743	2946	254
LBOU120-A-P	120" Linear Burner 'Outer mount' - Propane Gas	Propane Gas	365,000	3048	3251	254

\* Suffix 'A' is for Burner with Automated system operation i.e. LBIN36-A-N or LBOU36-A-N

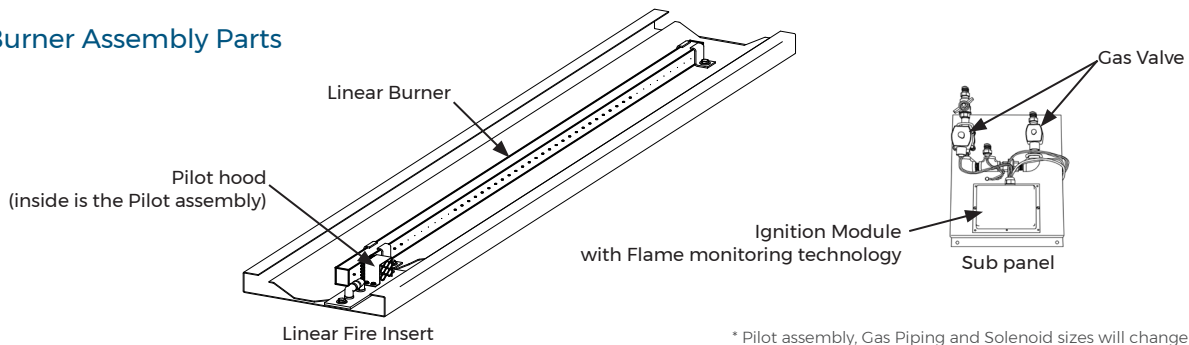
\* Change Suffix 'A' to 'M' for Burner with Manual system operation i.e. LBIN36-M-N or LBOU36-M-N

\* 36" and 48" Linear Burner is the only size available in Manual system operation.

Linear Insert	LB Series	Model No. LB	Rev. 0	
<p>The information contained in this drawing is the sole property of Aquashi. Any reproduction in part or as a whole without the written permission of Aquashi is prohibited. Aquashi reserves the right to update all designs, specifications and data sheets without prior notice.</p>				

# Linear Insert

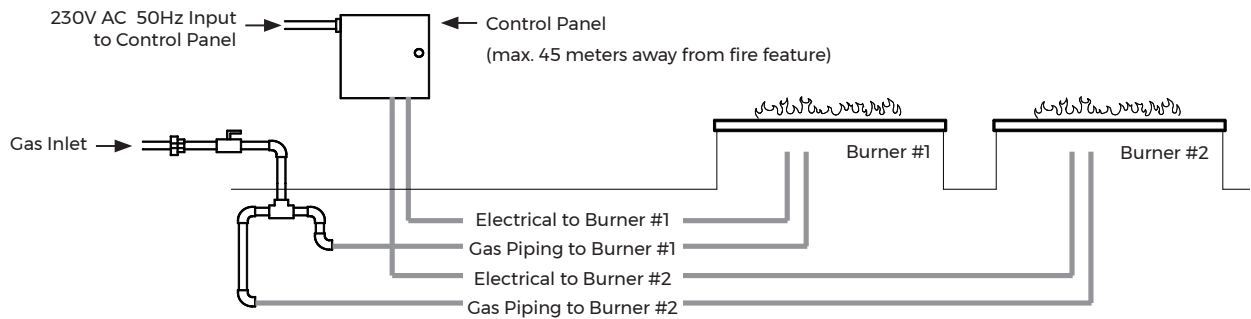
## Burner Assembly Parts



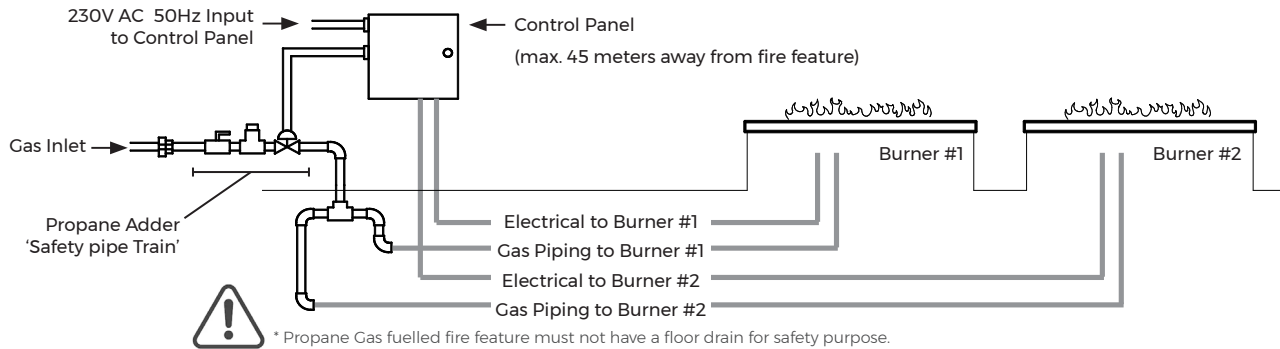
\* Pilot assembly, Gas Piping and Solenoid sizes will change depending on the type of fuel.

## Sample Installation

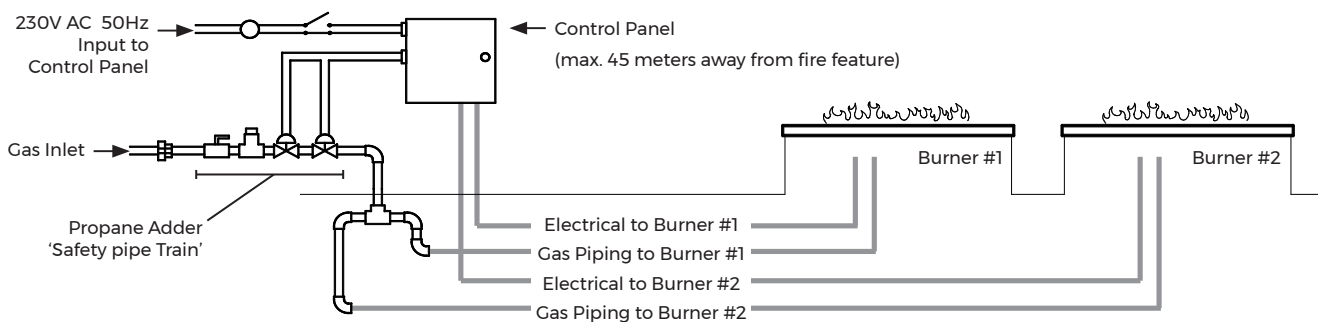
### Control panel & Gas Schematic Diagram for **Natural Gas Installation:**




### Control panel & Gas Schematic Diagram for **Propane Gas Installation:**



### Control panel & Gas Schematic Diagram for **Commercial Installation:**



\* Safety pipe train design may change depending on the quantity and size of the Burner.

Linear Insert	LB Series	Model No. LB	Rev. 0	
<p>The information contained in this drawing is the sole property of Aquashi. Any reproduction in part or as a whole without the written permission of Aquashi is prohibited. Aquashi reserves the right to update all designs, specifications and data sheets without prior notice.</p>				

# Linear Insert

## Decorative Media



**Lava Rock**  
Size: 50mm to 127mm



**Tumbled Lava Rock**  
Size: 25mm to 38mm



**Turquoise blue Fire Glass**  
Size: 10mm to 25mm



**Chestnut Fire Glass**  
Size: 10mm to 25mm



**Aqua Blue Fire Glass**  
Size: 10mm to 25mm



\* Fire Glass cannot be used together with propane gas.

## Accessories (Sold Separately)



### Keyed Valve

for Automated and Manual system operation Burner - Natural Gas,  
/ Automated and Manual system operation Burner - Propane Gas.



### Linear fire feature Cover (Tan)

Customizable size by request.



### Precautions:

- Always use common sense when handling fire and flammable materials.
- Burner will get hot while operating.
- Do not place any flammable materials within 1 meter of the burner, and at least 2 meters away from windows and curtains.
- For outdoor installation only.
- Do not use as a means to cook. Keep away from children.

Linear Insert	LB Series	Model No. LB	Rev. 0	
<p>The information contained in this drawing is the sole property of Aquashi. Any reproduction in part or as a whole without the written permission of Aquashi is prohibited. Aquashi reserves the right to update all designs, specifications and data sheets without prior notice.</p>				