

Linear LED Light - LINLED Series

Function

The linear LED light is designed for up-lighting water walls & waterfalls. The slim design of the light and 180° angle adjustment enables it to be installed in small pools and channels as well as large features. DMX controlled for sequencing colour effects. The linear array of LEDs provides an even distribution of light when illuminating water walls thus reducing the 'hot spot' effect which is common with standard spot lighting. DMX controlled white light are dimmable as well as sequencing.

Also Available in pivoting hanger for elevated floor installation which enables the light fixture to be flush mounted into a slab for seamless installation with the pool floor, hiding cables and accessories.



Specifications

Power

30W - 35W

Operating Voltage

12-24V DC

Min. - Max Voltage

11V DC - 30V DC

Operating mode:

Constant Current

Colours

RGBW / White

No. of LED

6 (RGBW)

9 (white)

Beam Angle:

30 ° as standard / Optional 15 & 45 ° lens
(custom lens available upon request)

RGBW LED type

4 in 1 Cree LED

Dimmable:

DMX control

(0-10V DC available upon request)

Reverse polarity protection: Yes

Transient spike protection: Yes

High temperature protection: Yes

EMC complaint: Yes

Cable

4 C - 1 mm² (DMX light)

2 C - 1.5 mm² (White light)

Standard Cable Length

2 m

(Custom length available on request)

Material:

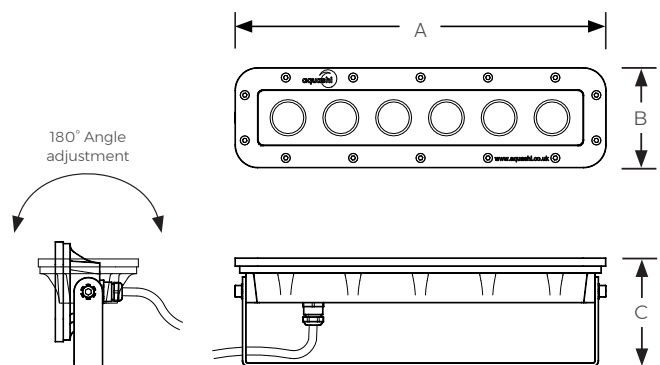
Brass / Stainless steel 316

Front Cover:

Polycarbonate clear cover
with UV Protection

Protection Rating:


IP 68, IK 10



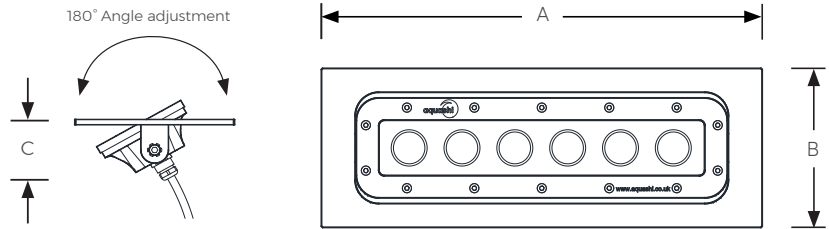
Model No.	Description	Material	Colour	Control	Power (W)	Luminous flux (lm)	A (mm)	B (mm)	C (mm)
LINLED-035	RGBW Linear LED light	Brass & SS 316	RGBW	DMX	35	145	330	89	95
LINLED-031	Cool white Linear LED light	Brass & SS 316	Cool White	On/off	30	145	330	89	95
LINLED-032	Warm white Linear LED light	Brass & SS 316	Warm White	On/off	30	145	330	89	95

* Add suffix DMX to model number to order DMX controlled white light. i.e. LINLED-032-DMX

* Add suffix AUTO to model number to order Auto colour changing effect for RGBW light. i.e. LINLED-S035-AUTO

Linear LED Light	LINLED Series	Model No. LINLED	Rev. 2	
<p>The information contained in this drawing is the sole property of Aquashi. Any reproduction in part or as a whole without the written permission of Aquashi is prohibited. Aquashi reserves the right to update all designs, specifications and data sheets without prior notice.</p>				

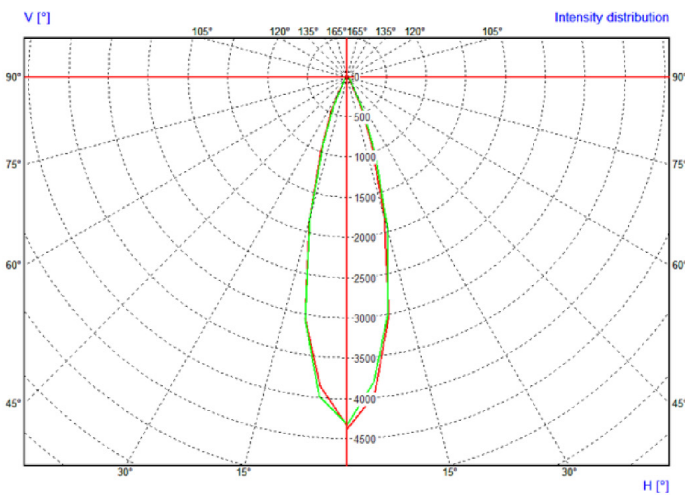
Linear LED Light - LINLED Series



Model No.	Description	Material	Colour	Control	Power (W)	Luminous flux (lm)	A (mm)	B (mm)	C (mm)
LINLED-P-035	Pivoting Linear LED RGBW light	Brass & SS 316	RGBW	DMX	35	145	382	145	58
LINLED-P-031	Pivoting Linear LED Cool white light	Brass & SS 316	Cool White	On/off	30	145	382	145	58
LINLED-P-032	Pivoting Linear LED Warm white light	Brass & SS 316	Warm White	On/off	30	145	382	145	58

* Add suffix DMX to model number to order DMX controlled white light. i.e. LINLED-P-032-DMX

* Add suffix AUTO to model number to order Auto colour changing effect for RGBW light. i.e. LINLED-P-S035-AUTO



F Photometric Polar diagram: (RGBW)

LINLED-031 - Cool White

Color Rendering Index [CRI] - 80.2

Correlated Color Temperature (K) [CCT] - 5619

LINLED-032 - Warm White

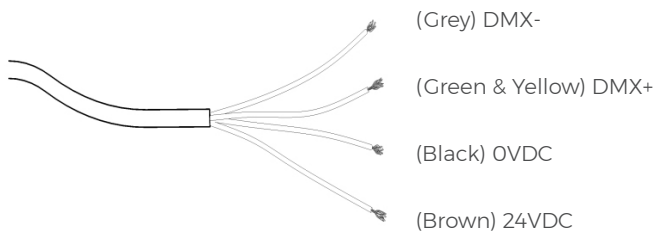
Color Rendering Index [CRI] - 86.7

Correlated Color Temperature (K) [CCT] - 3051

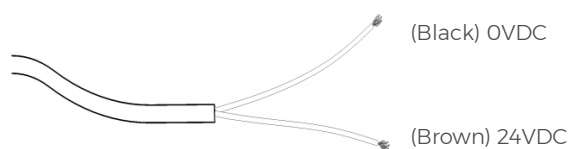
*IES files available on request.

Connection Diagram

RGBW Light Cable



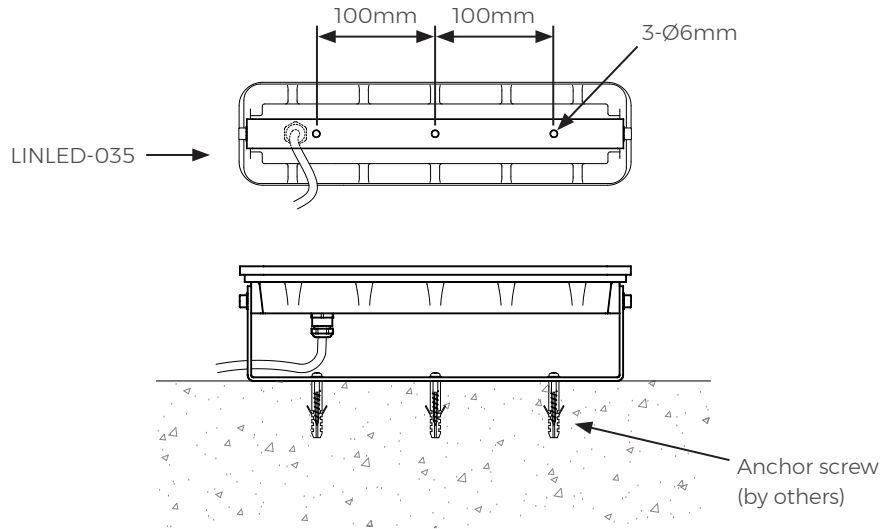
Warm White/Cool White Light Cable



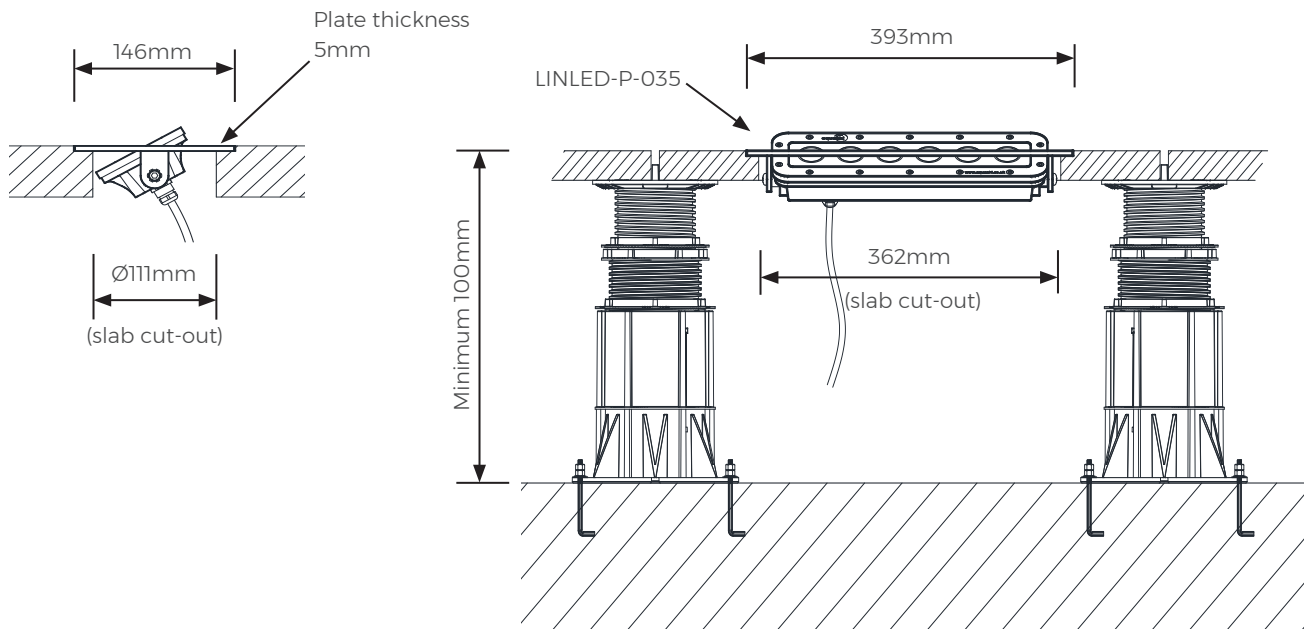
Linear LED Light	LINLED Series	Model No. LINLED	Rev. 2	
<p>The information contained in this drawing is the sole property of Aquashi. Any reproduction in part or as a whole without the written permission of Aquashi is prohibited. Aquashi reserves the right to update all designs, specifications and data sheets without prior notice.</p>				


Linear LED Light - LINLED Series

Typical Installation



Slab cut-out Measurements



Linear LED Light	LINLED Series	Model No. LINLED	Rev. 2	
<p>The information contained in this drawing is the sole property of Aquashi. Any reproduction in part or as a whole without the written permission of Aquashi is prohibited. Aquashi reserves the right to update all designs, specifications and data sheets without prior notice.</p>				