

Moveable Underwater Junction Box - JBM Series

Function

The Moveable junction box is designed to be portable depending on the installation requirement. Its flat bottom base allows the user to move the junction box along the pool floor to the desired location. Complete with rubber gasket and integrated earthing hole inside, the junction box is IP68 rated for underwater or deck level installation.

All threaded connections must be installed with an approved water-sealing thread seal. Recommended to insulate with junction box sealant (PCR Series) for underwater installations. Made of cast bronze with stainless steel fasteners.



Specifications

Materials

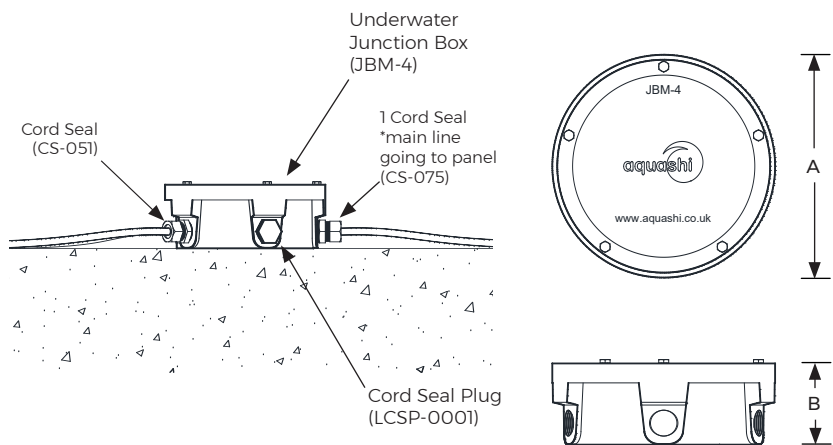
Cast Bronze w/ Stainless steel fasteners.

Connection Size

Sides - 1/2" female thread
 (optional 3/4" female thread side connection)
 For main line - 3/4" female thread
 (custom thread available on request)

Protection Rating

IP 68



Model No.	Description	No. of ways	Side thread (BSP)	Inlet from main line	Inlet thread (BSP)	A (mm)	B (mm)
JBM-4	4 cable Moveable Underwater Junction Box	4	1/2"	1	3/4"	166	65
JBM-8	8 cable Moveable Underwater Junction Box	8	1/2"	1	3/4"	166	90

* Custom inlet/outlet available on request.

Accessories (Sold Separately)



Cord Seals

- * CS-050 (1/2" threaded)
- * CS-051 (1/2" threaded)
- * CS-075 (3/4" threaded)
- * CS-076 (3/4" threaded)



Cord Seal Plug

- * LCSP-001 (1/2" threaded)



Junction Box Gasket (Spare Part)

- * LBG-010 (for JBM-4)
- * LBG-011 (for JBM-8)



Potting Compound

- * PCR-100 (Volume 338.3 cm³)
- * PCR-200 (Volume 665.3 cm³)

Moveable Junction Box	JBM Series	Model No. JBM	Rev. 1	
<p>The information contained in this drawing is the sole property of Aquashi. Any reproduction in part or as a whole without the written permission of Aquashi is prohibited. Aquashi reserves the right to update all designs, specifications and data sheets without prior notice.</p>				