

Overflow / Gutter Drain - ODG Series

Function

Overflow / Gutter drain for pools with a 2" male threaded connection. Made of stainless steel 316.

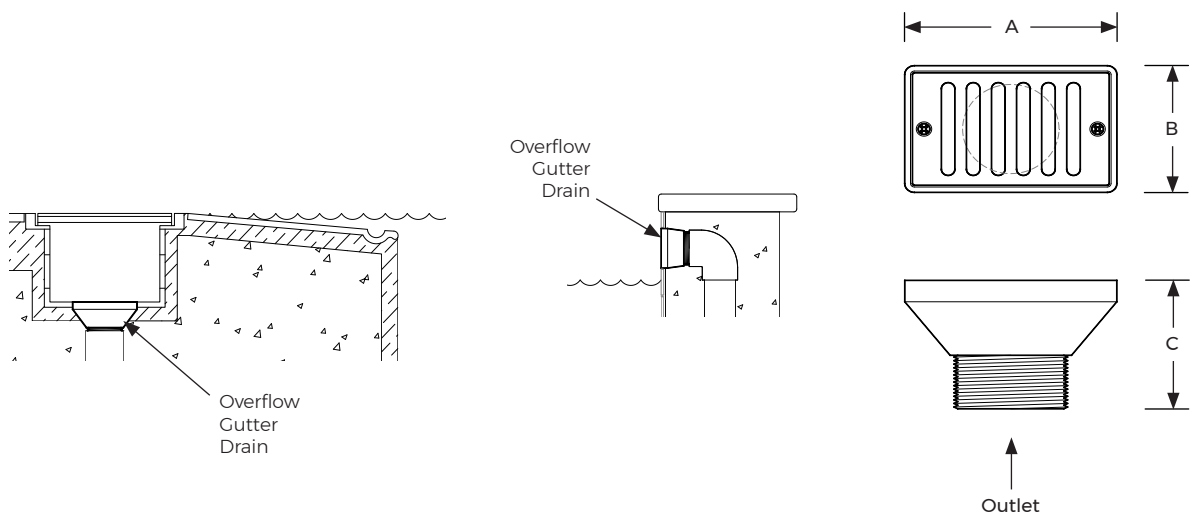
Specifications

Materials


Stainless steel 316

Connection type

Male thread



Model No.	Outlet (BSP)	A (mm)	B (mm)	C (mm)
ODG-S200	2"	110	71	72

Overflow Gutter Drain	ODG Series	Model No. ODG-S200	Rev. 0	
<p>The information contained in this drawing is the sole property of Aquashi. Any reproduction in part or as a whole without the written permission of Aquashi is prohibited. Aquashi reserves the right to update all designs, specifications and data sheets without prior notice.</p>				