

Overflow Drain - ODF Series

Function

Overflow Drain use in pools and fountains. Excess water overflows into the stand pipe drain during high water level conditions. The stand pipe also has a threaded connection which allows it to be removed easily for draining of pool and maintenance. Height can be customised upon request.

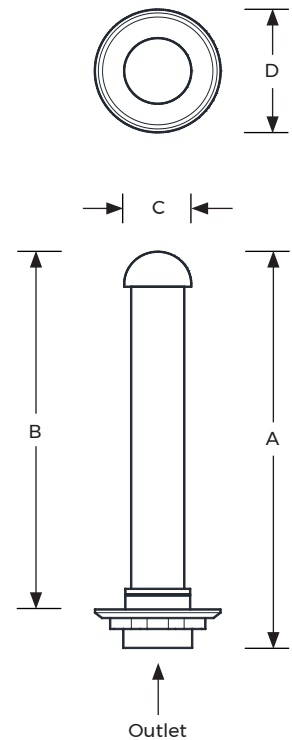
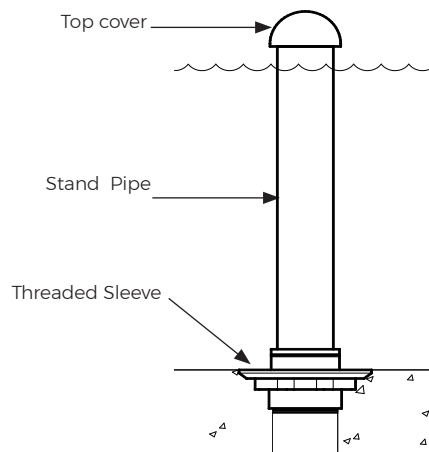
Specifications

Materials


Cast Bronze with Copper stand pipe

Connection type

Female thread



Model No.	Outlet (BSP)	A (mm)	B (mm)	C (mm)	D (mm)
ODF-200	2"	540	480	51	155
ODF-300	3"	540	480	76	180
ODF-400	4"	540	480	102	180

Overflow Drain	ODF Series	Model No. ODF	Rev. 0	
<p>The information contained in this drawing is the sole property of Aquashi. Any reproduction in part or as a whole without the written permission of Aquashi is prohibited. Aquashi reserves the right to update all designs, specifications and data sheets without prior notice.</p>				