

Pedestal Head Spacer

Function

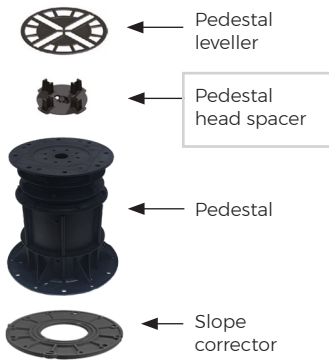
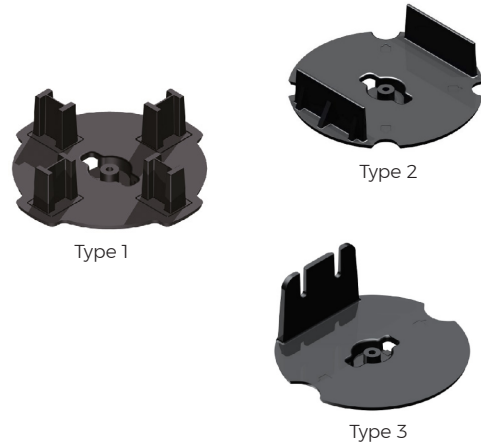
Head spacers are used to secure the flooring while adjusting the floor spacing according to the site requirements. They are available with fins from 2.2 - 10 mm grouting thickness for tiles and with single fins for laterally fixed joists.

For use with dry deck fountain features a grouting space of 8 mm is recommended for adequate drainage.

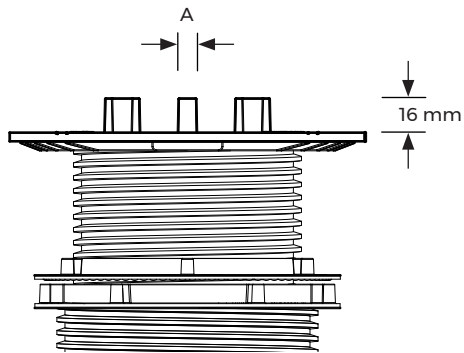
Specifications

Materials

Polypropylene



Model No.	Type	A Spacing (mm)
240-500-016-002		2.2
240-500-016-004		4
240-500-016-006	1	6
240-500-016-008		8
240-500-016-010		10
240-500-016-060	2	60
240-500-016-070	3	70



Pedestal	Pedestal Series	Model No. 240-500	Rev. 0	
<p>The information contained in this drawing is the sole property of Aquashi. Any reproduction in part or as a whole without the written permission of Aquashi is prohibited. Aquashi reserves the right to update all designs, specifications and data sheets without prior notice.</p>				