

Ring LED Light - RGLED 40 Series

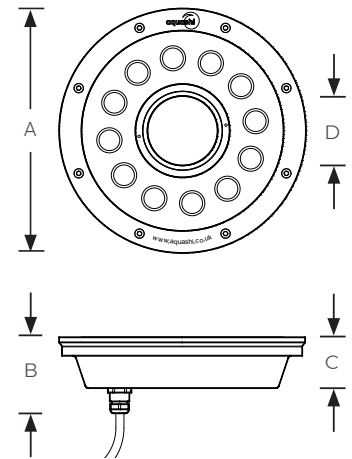
Function

The underwater Ring LED 40 series lights can be used with a variety of fountain nozzles with its large central opening of 61mm diameter. As the nozzle sits centrally within the light, the water jet is completely illuminated. Ideal for sequenced fountains as DMX controllability provides additional control for choreographed sequencing effects and virtual effects with water. Available in white LED as on/off control or RGBW DMX control for sequenced fountains. Auto colour changing available for RGBW lights. DMX controlled white lights are dimmable as well as sequencing.



Specifications

Power 36W	Beam Angle: 30 ° as standard / Optional 15 & 45 ° lens (custom lens available upon request)	Standard Cable Length 2 m (Custom length available on request)
Operating Voltage 12-24V DC	Dimmable: DMX control (0-10V DC available upon request)	Material: Brass / Stainless steel 316
Min. - Max Voltage 11V DC - 30V DC	Reverse polarity protection: Yes	Front Cover: Polycarbonate clear cover with UV Protection
Operating mode: Constant Current	Transient spike protection: Yes	Protection Rating: IP 68, IK 10
Colours RGBW / White	High temperature protection: Yes	
No. of LED 12	EMC complaint: Yes	
RGBW LED type 4 in 1 Cree LED	Cable 4 C - 1 mm ² (DMX light) 2 C - 1.5 mm ² (White light)	

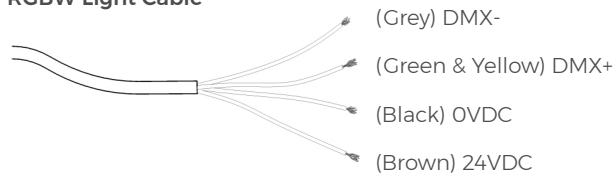


Model No.	Description	Material	Colour	Control	Power (W)	A (mm)	B (mm)	C (mm)	D (mm)
RGLED-S045-24	Stainless RGBW Ring LED 40 series light	Stainless steel 316	RGBW	DMX	36	214	56	40	61
RGLED-B045-24	Brass RGBW Ring LED 40 series light	Brass	RGBW	DMX	36	214	56	40	61
RGLED-S041-24	Stainless Cool white Ring LED 40 series light	Stainless steel 316	Cool white	On/off	36	214	56	40	61
RGLED-B041-24	Brass Cool white Ring LED 40 series light	Brass	Cool white	On/off	36	214	56	40	61
RGLED-S042-24	Stainless Warm white Ring LED 40 series light	Stainless steel 316	Warm white	On/off	36	214	56	40	61
RGLED-B042-24	Brass Warm white Ring LED 40 series light	Brass	Warm white	On/off	36	214	56	40	61

* Add suffix DMX to model number to order DMX controlled white light. i.e. RGLED-S042-24-DMX
 * Add suffix AUTO to model number to order Auto colour changing effect for RGBW light. i.e. RGLED-S045-24-AUTO

Connection Diagram

RGBW Light Cable



Warm White/Cool White Light Cable



Ring LED Light	RGLED 40 Series	Model No. RGLED-040	Rev. 2	
The information contained in this drawing is the sole property of Aquashi. Any reproduction in part or as a whole without the written permission of Aquashi is prohibited. Aquashi reserves the right to update all designs, specifications and data sheets without prior notice.				