

Rain Curtain Nozzle - RC Series

Function

The rain curtain creates a mesmerizing effect with slow falling water droplets from a height along a mylar lace. Suitable for indoor water feature. The curtain produces very little noise due to its unique design. The rain curtain can be customized by shape and height.

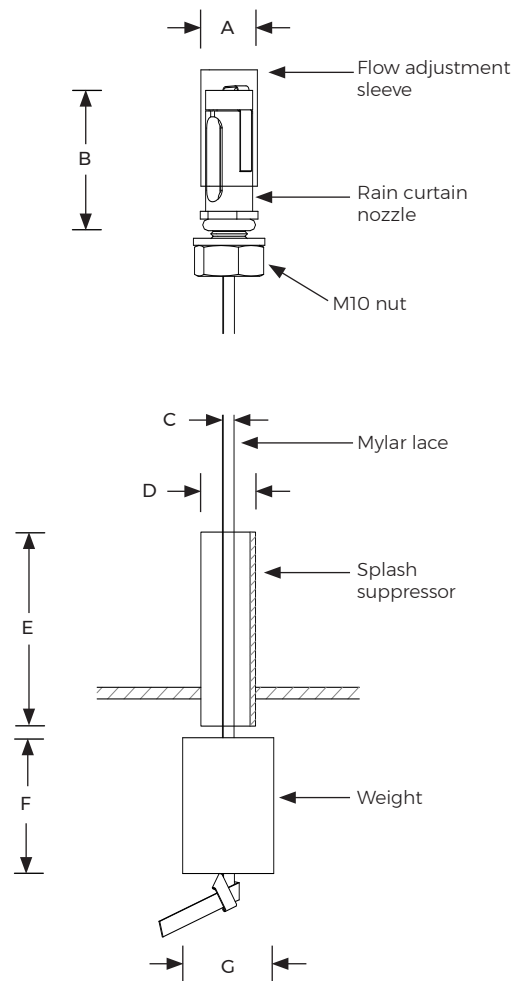
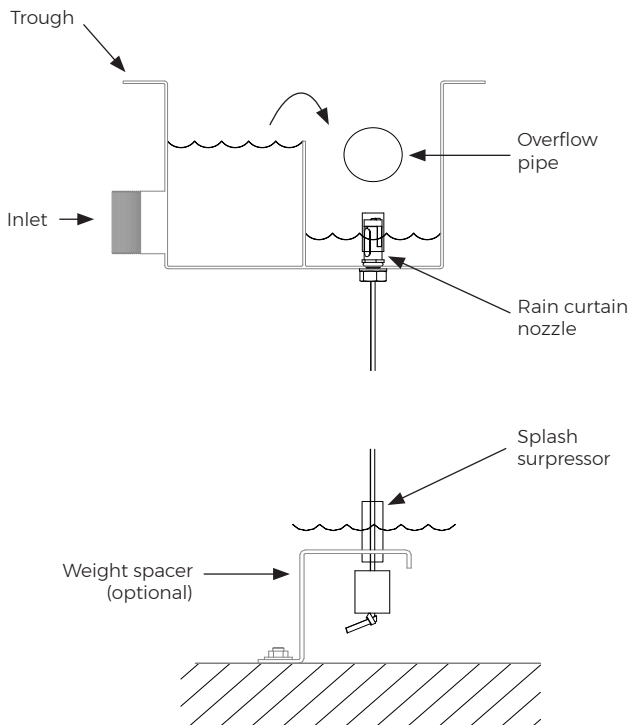
For best effect, the flow rate per nozzle should be 0.5 LPM.



Specifications

Materials

Brass and Stainless steel 316



Model No.	Description	Dimensions
RC-N	Rain curtain nozzle	A: Ø17mm, B: 33mm
RC-L	Mylar Lace	C: 4mm
RC-S	Splash suppressor	D: Ø15mm, E: 50mm
RC-W	Weight	F: 35mm, G: Ø25mm

Rain Curtain Nozzle	RC Series	Model No. RC	Rev. 0	
<p>The information contained in this drawing is the sole property of Aquashi. Any reproduction in part or as a whole without the written permission of Aquashi is prohibited. Aquashi reserves the right to update all designs, specifications and data sheets without prior notice.</p>				