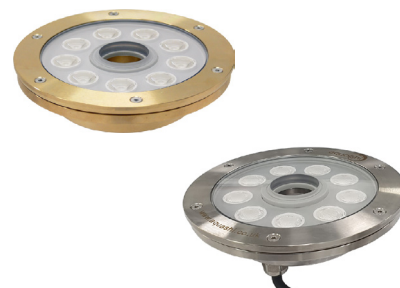


Ring LED Light - RGLLED Series

Function

The underwater Ring LED lights can be used with a variety of fountain nozzles to illuminate the jets from all sides. Ideal for sequenced fountains as the DMX controllability provides additional control for choreographed sequencing effects and virtual effects with water. DMX controlled white light are dimmable as well as sequencing.



Specifications

Power

30W - 35W

Operating Voltage

12-24V DC

Min. - Max Voltage

11V DC - 30V DC

Operating mode:

Constant Current

Colours

RGBW / White

No. of LED

6 (RGBW)

9 (white)

Beam Angle:

30 ° as standard / Optional 15 & 45 ° lens (custom lens available upon request)

RGBW LED type

4 in 1 Cree LED

Dimmable:

DMX control

(0-10V DC available upon request)

Reverse polarity protection: Yes

Transient spike protection: Yes

High temperature protection: Yes

EMC compliant: Yes

Cable

4 C - 1 mm² (DMX light)

2 C - 1.5 mm² (White light)

Standard Cable Length

2 m

(Custom length available on request)

Material:

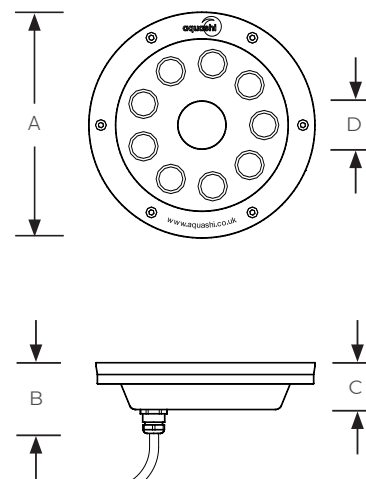
Brass / Stainless steel 316

Front Cover:

Polycarbonate clear cover with UV Protection

Protection Rating:

IP 68, IK 10



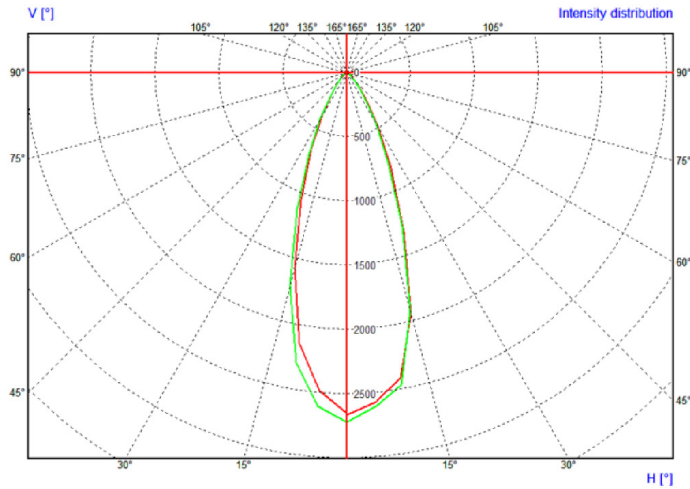
Model No.	Description	Material	Colour	Control	Power (W)	Luminous flux (lm)	A (mm)	B (mm)	C (mm)	D (mm)
RGLLED-S035	Stainless RGBW Ring LED light	Stainless steel 316	RGBW	DMX	35	1369	169	59	49	36
RGLLED-B035	Brass RGBW Ring LED light	Brass	RGBW	DMX	35	1369	169	59	49	36
RGLLED-S031	Stainless Cool white Ring LED light	Stainless steel 316	Cool white	On/off	30	2118	169	59	49	36
RGLLED-B031	Brass Cool white Ring LED light	Brass	Cool white	On/off	30	2118	169	59	49	36
RGLLED-S032	Stainless Warm white Ring LED light	Stainless steel 316	Warm white	On/off	30	1871	169	59	49	36
RGLLED-B032	Brass Warm white Ring LED light	Brass	Warm white	On/off	30	1871	169	59	49	36

* Add suffix DMX to model number to order DMX controlled white light. i.e. RGLLED-S032-DMX

* Add suffix AUTO to model number to order Auto colour changing effect for RGBW light. i.e. RGLLED-S035-AUTO

Ring LED Light	RGLLED Series	Model No. RGLLED	Rev. 2	
<p>The information contained in this drawing is the sole property of Aquashi. Any reproduction in part or as a whole without the written permission of Aquashi is prohibited. Aquashi reserves the right to update all designs, specifications and data sheets without prior notice.</p>				

Ring LED Light - RGLED Series



F Photometric Polar diagram: (RGBW)

RGLED-031 - Cool White

Color Rendering Index [CRI] - 80.4

Correlated Color Temperature (K) [CCT] - 5693

RGLED-032 - Warm White

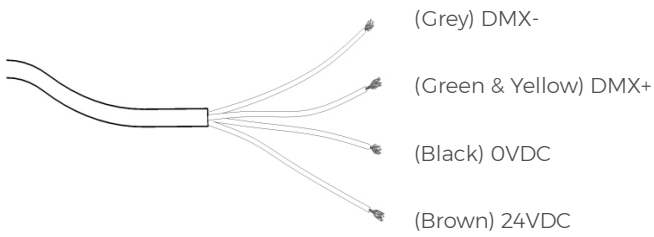
Color Rendering Index [CRI] - 86.0

Correlated Color Temperature (K) [CCT] - 3100

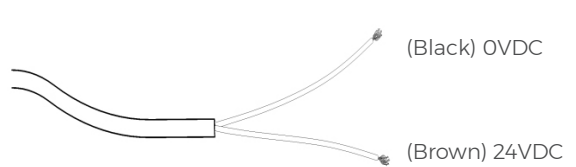
*IES files available on request.

Connection Diagram

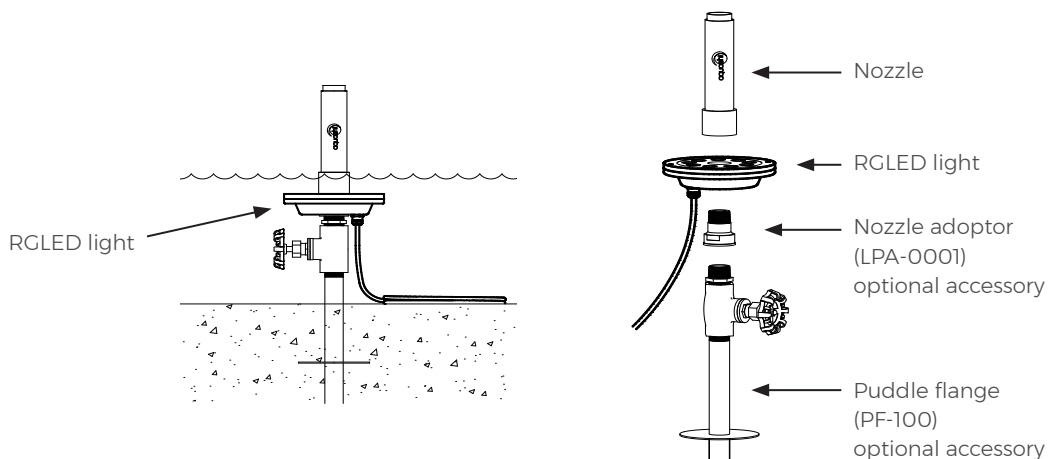
RGBW Light Cable



Warm White/ Cool White Light Cable



Typical Installation



Ring LED Light	RGLED Series	Model No. RGLED	Rev. 2	
<p>The information contained in this drawing is the sole property of Aquashi. Any reproduction in part or as a whole without the written permission of Aquashi is prohibited. Aquashi reserves the right to update all designs, specifications and data sheets without prior notice.</p>				