

Single Stream Jet - SSJ-100

Function

The single stream jet nozzle is designed to be flushed mounted either horizontally or vertically with jet angle adjustment of up to 25 degrees. For horizontal installations, it is ideal for deck level mounting around the swimming pool or children's water play areas. For vertical installation it is fixed flush on the wall and used as a water spout.

Water level independent.



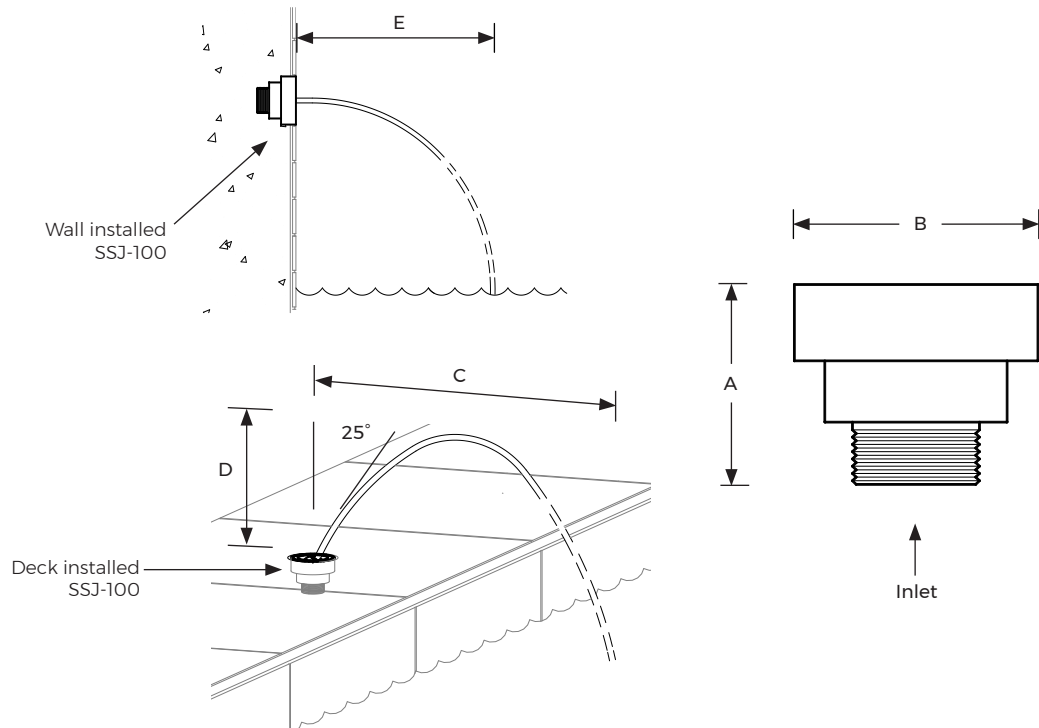
Specifications

Materials

Brass

Connection type

Male thread




Horizontal Installation

Model No.	Inlet (BSP)	Nozzle Height A (mm)	Nozzle Width B (mm)	Throw C (m)	0.5	1.2	1.5	2.1	2.4	3
SSJ-100	1"	55	65	Flow (LPM)	12.8	17.8	19.9	24.1	26.3	30.5
				Head (m)	0.6	1.4	1.7	2.4	2.7	3.4
				Spray Height D (cm)	30.4	74.6	93.6	131.6	150.5	188.5

Vertical Installation @ 1 meter height

Model No.	Inlet (BSP)	Nozzle Height A (mm)	Nozzle Width B (mm)	Throw E (m)	0.5	1.2	1.5	2.1	2.4	3
SSJ-100	1"	55	65	Flow (LPM)	7.5	13.7	18.9	12.5	24.8	32.8
				Head (m)	0.6	1	1.9	2.7	3.4	4.5

Single Stream Jet	SSJ Series	Model No. SSJ-100	Rev. 0	
<p>The information contained in this drawing is the sole property of Aquashi. Any reproduction in part or as a whole without the written permission of Aquashi is prohibited. Aquashi reserves the right to update all designs, specifications and data sheets without prior notice.</p>				