

# Suction Drain - SDF Series

## Function

Cast bronze heavy duty floor mounted suction drain designed for concrete pools. Strainer intercepts debris and the bronze anti-vortex plate prevents air entrainment. Optional adjustable flow regulator.

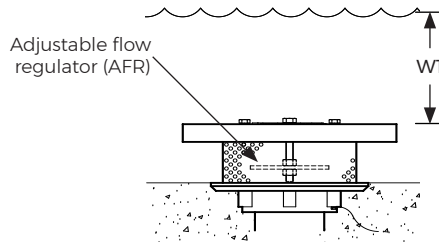
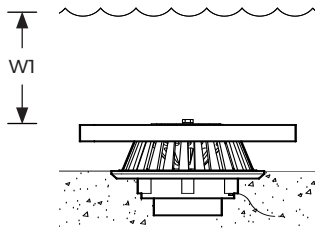
## Specifications

### Materials

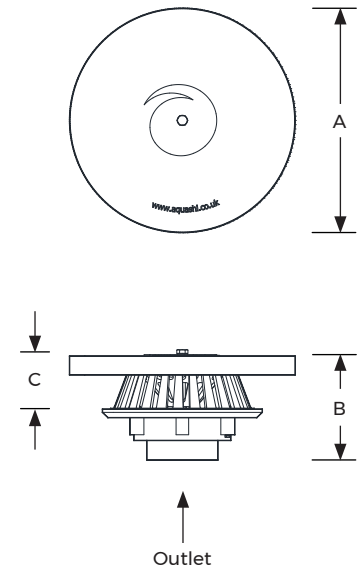
Cast Bronze body, Bronze anti-vortex plate with Stainless steel 316 fasteners, and bronze suction strainer. Optional stainless steel 316 Adjustable flow regulator

### Connection type

Female thread



\* Optional SDF series with adjustable flow regulator.



Model No.	Outlet (BSP)	A (mm)	B (mm)	C (mm)	Min. Water Level WL (mm)	Recommended Max. Flow (m <sup>3</sup> H)
SDF-200	2"	200	128	75	80	11.5
SDF-300	3"	310	145	80	100	25.2
SDF-400	4"	310	145	80	200	41.4
SDF-600	5"	400	150	100	250	90
SDF-800	8"	400	230	185	250	162

\* Add suffix AFR to model number to order with Adjustable flow regulator. i.e. SDF-400-AFR

Suction Drain	SDF Series	Model No. SDF	Rev. 1	
<p>The information contained in this drawing is the sole property of Aquashi. Any reproduction in part or as a whole without the written permission of Aquashi is prohibited. Aquashi reserves the right to update all designs, specifications and data sheets without prior notice.</p>				