

Threaded Suction Vacuum Point - VP-S200

Function

Suction vacuum points can be used to provide inlets for pool cleaning and maintenance purposes. Threaded suction vacuum points provide a more stable threaded lid for opening. Can also be used as a plug drain.

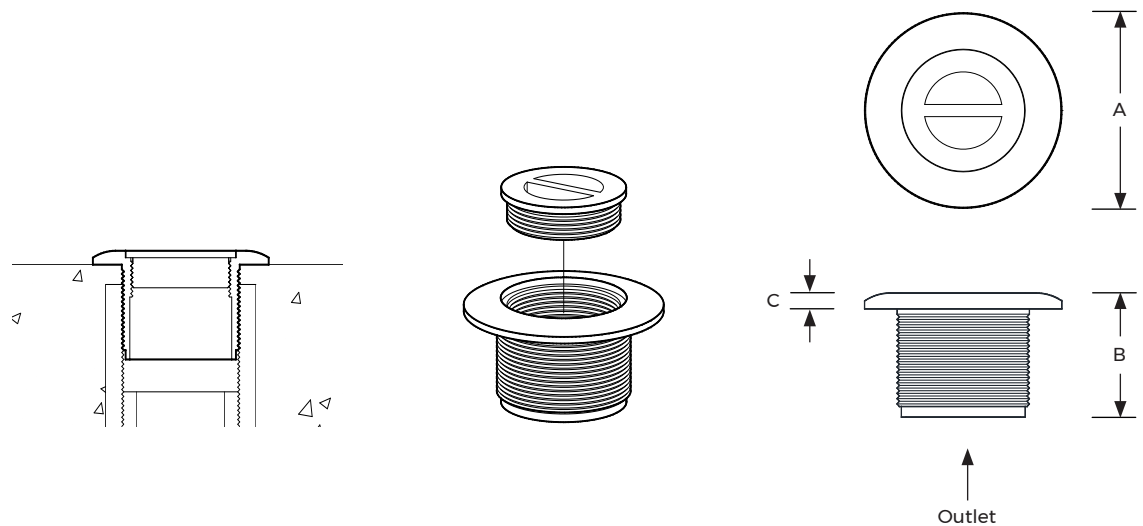
Specifications

Materials


Stainless steel 316

Connection type

Male thread



Model No.	Outlet (BSP)	A (mm)	B (mm)	C (mm)
VP-S200	2"	88	47	5

Suction Vacuum Point	VP Series	Model No. VP-S200	Rev. 1	
<p>The information contained in this drawing is the sole property of Aquashi. Any reproduction in part or as a whole without the written permission of Aquashi is prohibited. Aquashi reserves the right to update all designs, specifications and data sheets without prior notice.</p>				