

Tristream Jet - TSJ-100

Function

The tristream jet is ideal for deck level mounting and is suitable for small displays, swimming pools and plays area. Three streams of water shoot out from the jet and can be directed to an angle of up to 25 degrees. Fine screening at the pump will provide a smoother flow on the stream jets.

Water level independent.



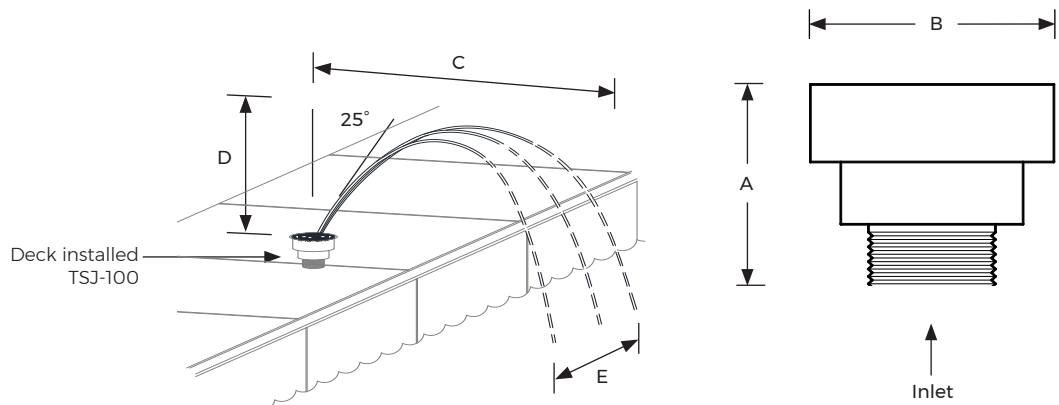
Specifications

Materials

Brass


Connection type

Male thread



Deck Installation

Model No.	Inlet (BSP)	Nozzle Height A (mm)	Nozzle Width B (mm)	Throw C (m)	0.5	1.2	1.5	2.1	2.4	3
				Flow (LPM)	9.6	13.3	14.8	17.9	19.5	22.6
				Head (m)	0.7	1.4	1.8	2.4	2.8	3.4
TSJ-100	1"	55	65	Spray Height D (cm)	15	58	77	114	133	170
				Spread E (cm)	15	58	77	114	133	170

Tristream Jet	TSJ Series	Model No. TSJ-100	Rev. 0	
<p>The information contained in this drawing is the sole property of Aquashi. Any reproduction in part or as a whole without the written permission of Aquashi is prohibited. Aquashi reserves the right to update all designs, specifications and data sheets without prior notice.</p>				