

# Bell Jet - BL Series

## Function

The bell jets produces a thin film of water which forms a hemispherical shape resembling a bell or mushroom. The nozzle is ideal for small and medium size fountains and can be used for interior and exterior applications.

Water level independent.

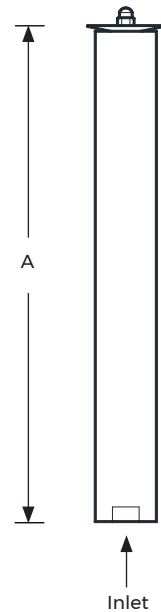
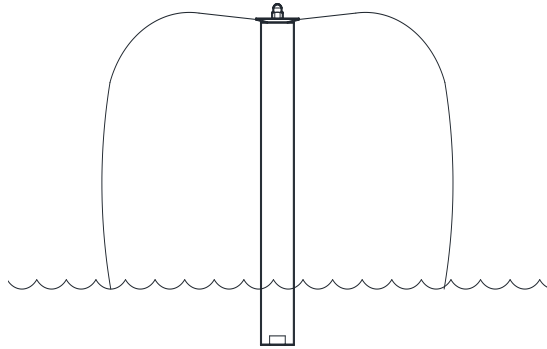
## Specifications

### Materials


Stainless steel 316

### Connection type

Female thread



Model No.	Inlet (BSP)	Nozzle Height A (mm)	Head (m)	Flow (LPM)	Spray Diameter (m)
BL-050	1/2"	250	0.8	16.5	0.3
BL-100	1"	400	1	33.5	0.6
BL-150	1-1/2"	500	1	50	1
BL-200	2"	600	1.5	83	1.2

Bell Jet	BL Series	Model No. BL	Rev. 1	
<p>The information contained in this drawing is the sole property of Aquashi. Any reproduction in part or as a whole without the written permission of Aquashi is prohibited. Aquashi reserves the right to update all designs, specifications and data sheets without prior notice.</p>				