

Pedestal Leveller

Function

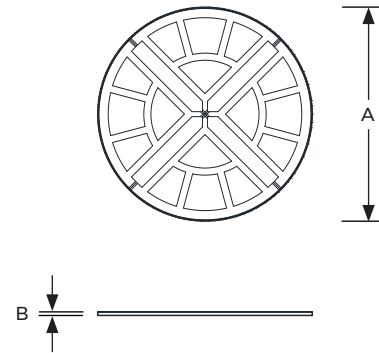
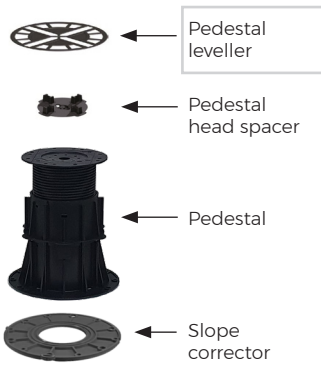
The Leveller is a 2.5 mm thick disc that is used in combination with the pedestal and head spacer to correct uneven sub-base or tile imperfections. Overlapping waterproofing membranes can also create uneven surfaces which may be difficult to correct with the supports or slope corrector. The leveller can be positioned under the pedestal support for an uneven sub-base or on top of the head spacer for tile imperfections. Pre-incisions around the leveller allows the user to cut sections as desired.




Specifications

Materials

Rigid Polypropylene or
Soft rubber for anti-shock function



Model No.	Material	A (mm)	B (mm)
240-901-150-003	Rigid Polypropylene	150	2.5
204-910-150-003	Rubber anti-shock	150	2.5

Pedestal	Pedestal Series	Model No. 240-9xx-150	Rev. 1	
<p>The information contained in this drawing is the sole property of Aquashi. Any reproduction in part or as a whole without the written permission of Aquashi is prohibited. Aquashi reserves the right to update all designs, specifications and data sheets without prior notice.</p>				