

RF Remote - RM-200

Function

The RF Remote wirelessly controls LED lights via a handheld remote and receiver. The remote has a range of up to 30 meters. There are two additional outputs available on the receiver which can be used for other equipment that can be electronically controlled.



Specifications

Input Voltage

230 VAC 50Hz

Frequency band transmitter

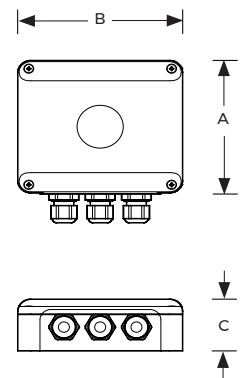
868 MHz

Auxiliary outputs

2 nos.

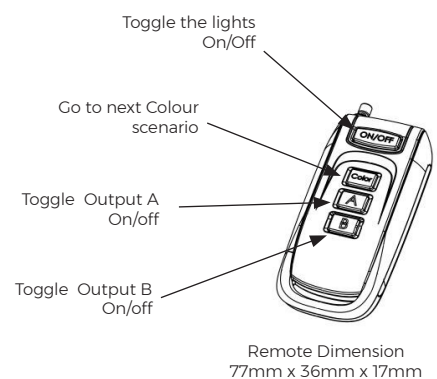
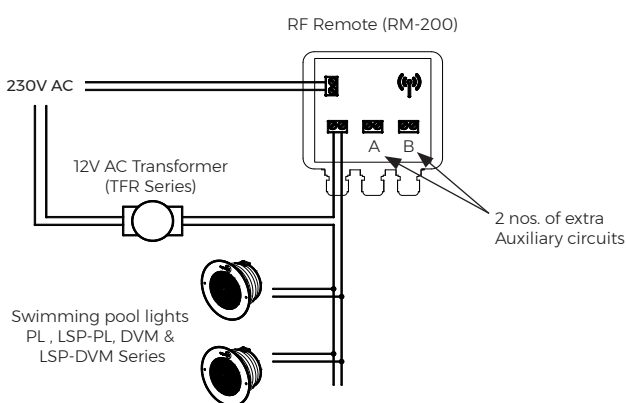
Protection Rating

IP 54



Model No.	Description	A (mm)	B (mm)	C (mm)
RM-200	RF Remote	150	157	51

Typical Wiring Installation



RF Remote	RM Series	Model No. RM-200	Rev. 2	
<p>The information contained in this drawing is the sole property of Aquashi. Any reproduction in part or as a whole without the written permission of Aquashi is prohibited. Aquashi reserves the right to update all designs, specifications and data sheets without prior notice.</p>				