

Flush Mounted Underwater Junction Box - JBF Series

Function

The Flush mounted junction boxes are designed to be installed flush with the finished floor level. Its deep base allows sufficient cover over the conduits for screed and tiling works. Complete with rubber gasket and integrated earthing hole, the junction box is IP68 rated for underwater or deck level installation.

All threaded connections must be installed with an approved water-sealing thread seal. Recommended to insulate with junction box sealant (PCR Series) for underwater installations. Made of cast bronze with stainless steel fasteners.



Specifications

Materials

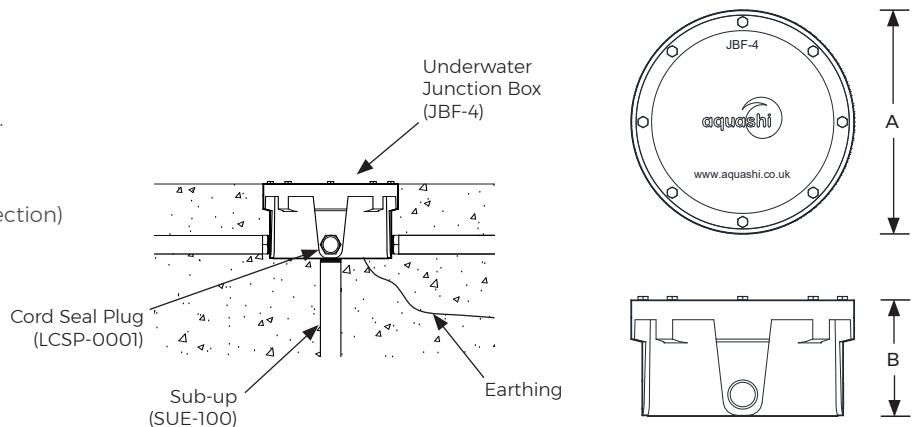
Cast Bronze w/ Stainless steel fasteners.

Connection Size

Sides - 1/2" female thread
 (optional 3/4" female thread side connection)
 Bottom - 1" to 1-1/2" female thread
 (custom thread available on request)

Protection Rating

IP 68



Model No.	Description	No. of ways	Side thread (BSP)	Bottom thread (BSP)	A (mm)	B (mm)
JBF-4	4 cable Flush Mounted Underwater Junction Box	4	1/2"	1"	166	90
JBF-8	8 cable Flush Mounted Underwater Junction Box	8	1/2"	1-1/2"	166	90

* Custom inlet/outlet available on request.



Flush Mounted Junction Box should be earthed

Accessories (Sold Separately)



Potting Compound

- * PCR-100 (Volume 338.3 cm³)
- * PCR-200 (Volume 665.3 cm³)



Cord Seal Plug

- * LCSP-001 (1/2" threaded)



Stub-Up Electrical

- * SUE-100 (1" threaded)
- * SUE-150 (1-1/2" threaded)



Junction Box Gasket (Spare Part)

- * LBG-010 (for JBF-4)
- * LBG-011 (for JBF-8)

Flush Mounted Junction Box	JBF Series	Model No. JBF	Rev. 2	
<p>The information contained in this drawing is the sole property of Aquashi. Any reproduction in part or as a whole without the written permission of Aquashi is prohibited. Aquashi reserves the right to update all designs, specifications and data sheets without prior notice.</p>				