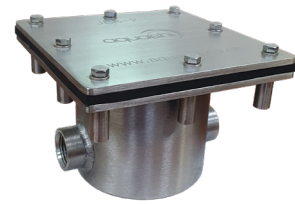


Stainless steel Underwater Junction Box - JBS Series

Function

The Stainless Steel underwater junction boxes is designed to accept naval stainless steel compression cord seal (CS Series) providing water tight connections for flexible cables. The conduit mounted junction box is made in stainless steel 316L with rubber gasket and stainless steel fasteners for an IP68 rated seal.

All threaded connections must be installed with an approved water sealing thread seal. Recommended to isolate with junction box sealant (PCR Series).



Specifications

Materials

Stainless steel 316L

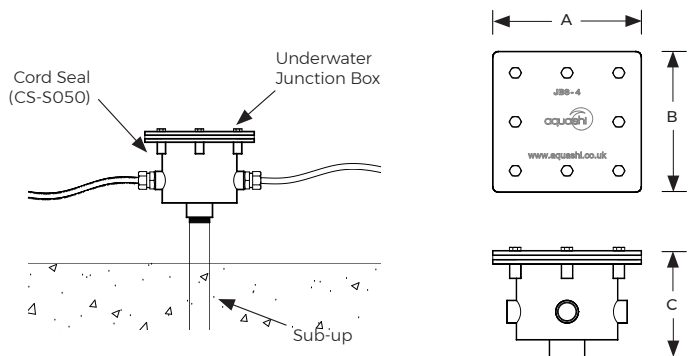
Connection Size

Sides - PG 13.5 female thread
(custom thread available on request)

Bottom - 3/4" to 1" female thread
(custom thread available on request)

Protection Rating

IP 68



Model No.	Description	No. of ways	Side thread	Bottom thread (BSP)	A (mm)	B (mm)	C (mm)	D (mm)
JBS-2	2 cable Underwater Junction Box	2	PG 13.5	3/4"	132	95	90	12
JBS-4	4 cable Underwater Junction Box	4	PG 13.5	1"	132	95	90	12

* Custom inlet/outlet available on request.



Junction Box should be earthed

Accessories (Sold Separately)



Cord Seals

* CS-S050 (PG 13.5 threaded)



Stub-Up Electrical

* SUE-075 (3/4" threaded)

* SUE-100 (1" threaded)



Potting Compound

* PCR-100 (Volume 338.3 cm³)

* PCR-200 (Volume 665.3 cm³)

Junction Box - Stainless Steel	JBS Series	Model No. JBS	Rev. 2	
<p>The information contained in this drawing is the sole property of Aquashi. Any reproduction in part or as a whole without the written permission of Aquashi is prohibited. Aquashi reserves the right to update all designs, specifications and data sheets without prior notice.</p>				