

# Swivel Flange Connector - SWF Series

## Function

Swivel flange connector enable the nozzle to adjust to a maximum of 5 degrees from the central axis.

## Specifications

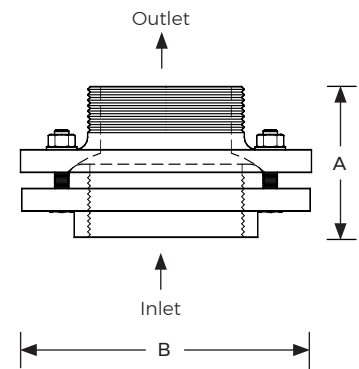
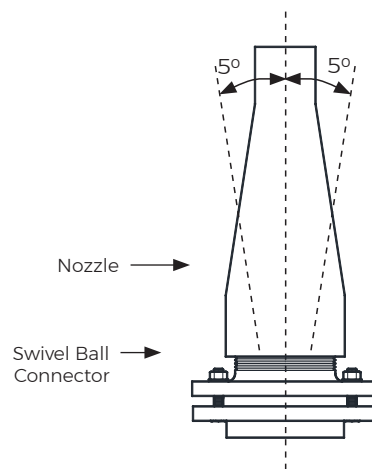
### Materials

Cast Bronze / Brass

### Connection type

(Inlet) Female thread

(Outlet) Male thread



Model No.	Description	Inlet / Outlet (BSP)	A (mm)	B (mm)
SWF-100	1" Swing flange connector	1"	62	84
SWF-150	1-1/2" Swing flange connector	1-1/2"	70	110
SWF-200	2" Swing flange connector	2"	80	120
SWF-250	2-1/2" Swing flange connector	2-1/2"	79	130
SWF-300	3" Swing flange connector	3"	90	162
SWF-400	4" Swing flange connector	4"	96	170

Swivel Flange Connector	SWF Series	Model No. SWF	Rev. 0	
<p>The information contained in this drawing is the sole property of Aquashi. Any reproduction in part or as a whole without the written permission of Aquashi is prohibited. Aquashi reserves the right to update all designs, specifications and data sheets without prior notice.</p>				