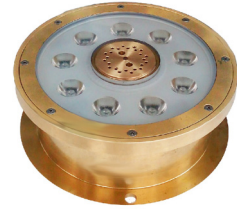


# Deck Jet Light - DJLED Series

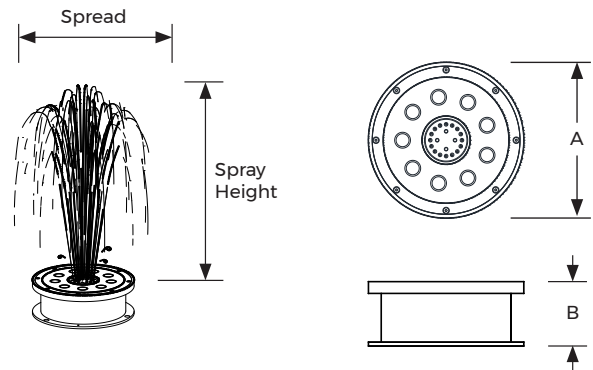
## Function

The niched brass Deck jet light fixture is designed for floor mounted installation to be flushed with the ground level. Available in LED white or RGBW, the lights are ideal for water play fountain installation. DMX controllability enables choreographed lighting effects. Supplied with a geyser jet, column jet, single stream or tri stream jet nozzle.



## Specifications


<b>Power</b> 30 - 35W	<b>Material:</b> Machined Brass
<b>Voltage</b> 12 - 24V DC	<b>Light Front Cover:</b> Polycarbonate clear cover
<b>Colours</b> RGBW / White	<b>Connection Sizes</b> 1" BSP Inlet connection 3/4" BSP Electrical connections
<b>Cable</b> 4 C - 1 mm <sup>2</sup> (DMX light) 2 C - 1.5 mm <sup>2</sup> (White light)	<b>Protection Rating:</b> IP 68, IK 10
<b>Standard Cable Length</b> 2 m (Custom length available on request)	



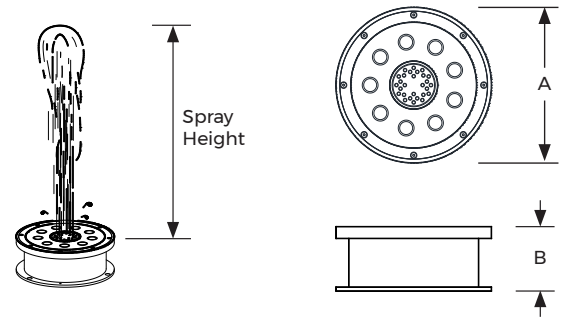
### Geyser Jet LED Deck Fountain

Model No.	Description	Nozzle Type	Light Colour	Light Control	Light Power (W)	A (mm)	B (mm)	Spray Height (m)	0.5	1	1.5	2
DJLED-035-GYR	Geyser jet fountain with RGBW light	Geyser Jet	RGBW	DMX	35	216	83	Spread (m)	0.2	0.38	0.78	1.04
								Flow (LPM)	24.2	34.1	41.3	47.3
								Head (m)	1.1	2.8	3.5	4.8
DJLED-031-GYR	Geyser jet fountain with Cool white light	Geyser Jet	Cool white	On/off	30	216	83	Spread (m)	0.2	0.38	0.78	1.04
								Flow (LPM)	24.2	34.1	41.3	47.3
								Head (m)	1.1	2.8	3.5	4.8
DJLED-032-GYR	Geyser jet fountain with Warm white light	Geyser Jet	Warm white	On/off	30	216	83	Spread (m)	0.2	0.38	0.78	1.04
								Flow (LPM)	24.2	34.1	41.3	47.3
								Head (m)	1.1	2.8	3.5	4.8

\* Add suffix DMX to model number to order DMX controlled white light. i.e. DJLED-032-GYR-DMX  
 \* Add suffix AUTO to model number to order Auto colour changing effect for RGBW light. i.e. DJLED-035-GYR-AUTO

Deck Jet Light	DJLED Series	Model No. DJLED	Rev. 1	
The information contained in this drawing is the sole property of Aquashi. Any reproduction in part or as a whole without the written permission of Aquashi is prohibited. Aquashi reserves the right to update all designs, specifications and data sheets without prior notice.				

# Deck Jet Light - DJLED Series

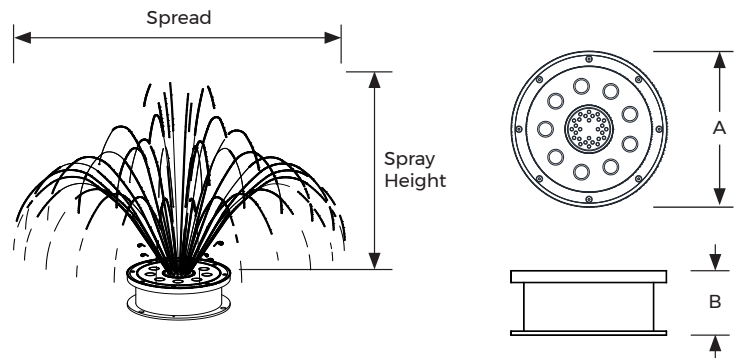


## Column Jet LED Deck Fountain

Model No.	Description	Nozzle Type	Light Colour	Light Control	Light Power (W)	A (mm)	B (mm)	Spray Height (m)					
									0.5	1	1.5	2	2.5
DJLED-035-CLM	Column jet fountain with RGBW light	Column Jet	RGBW	DMX	35	216	83	Flow (LPM)	39.6	53.9	66	77	88
								Head (m)	2.7	5.4	8.4	11	13.8
DJLED-031-CLM	Column jet fountain with Cool white light	Column Jet	Cool white	On/off	30	216	83	Flow (LPM)	39.6	53.9	66	77	88
								Head (m)	2.7	5.4	8.4	11	13.8
DJLED-032-CLM	Column jet fountain with Warm white light	Column Jet	Warm white	On/off	30	216	83	Flow (LPM)	39.6	53.9	66	77	88
								Head (m)	2.7	5.4	8.4	11	13.8

\* Add suffix DMX to model number to order DMX controlled white light. i.e. DJLED-032-CLM-DMX

\* Add suffix AUTO to model number to order Auto colour changing effect for RGBW light. i.e. DJLED-035-CLM-AUTO




## Sparkle Jet LED Deck Fountain

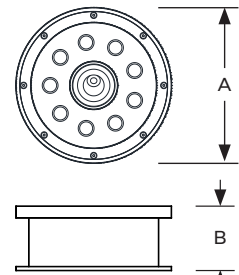
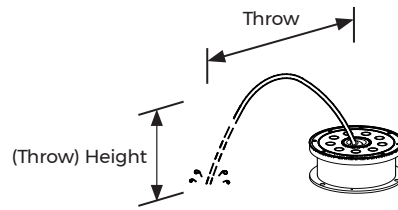
Model No.	Description	Nozzle Type	Light Colour	Light Control	Light Power (W)	A (mm)	B (mm)	Spray Height (m)					
									0.3	0.6	0.9	1.2	1.5
DJLED-035-SPK	Sparkle jet fountain with RGBW light	Sparkle Jet	RGBW	DMX	35	216	83	Spread (m)	0.5	1	1.5	2	2.5
								Flow (LPM)	63	86	105	119	135
								Head (m)	0.3	0.7	1	1.3	1.7
DJLED-031-SPK	Sparkle jet fountain with Cool white light	Sparkle Jet	Cool white	On/off	30	216	83	Spread (m)	0.5	1	1.5	2	2.5
								Flow (LPM)	63	86	105	119	135
								Head (m)	0.3	0.7	1	1.3	1.7
DJLED-032-SPK	Sparkle jet fountain with Warm white light	Sparkle Jet	Warm white	On/off	30	216	83	Spread (m)	0.5	1	1.5	2	2.5
								Flow (LPM)	63	86	105	119	135
								Head (m)	0.3	0.7	1	1.3	1.7

\* Add suffix DMX to model number to order DMX controlled white light. i.e. DJLED-032-SPK-DMX

\* Add suffix AUTO to model number to order Auto colour changing effect for RGBW light. i.e. DJLED-035-SPK-AUTO

Deck Jet Light	DJLED Series	Model No. DJLED	Rev. 1	
<p>The information contained in this drawing is the sole property of Aquashi. Any reproduction in part or as a whole without the written permission of Aquashi is prohibited. Aquashi reserves the right to update all designs, specifications and data sheets without prior notice.</p>				

# Deck Jet Light - DJLED Series

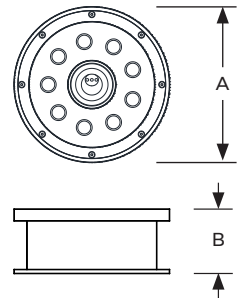
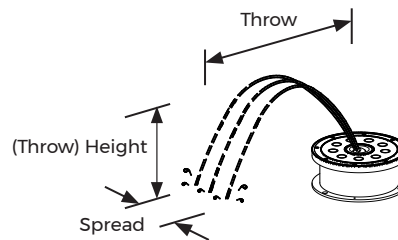


## Single Stream Jet LED Deck Fountain

Model No.	Description	Nozzle Type	Light Colour	Light Control	Light Power (W)	A (mm)	B (mm)	Throw (m)	Height (m)				
									0.5	1	1.5	2	2.5
DJLED-035-SSJ	Single stream jet fountain with RGBW light	Single stream Jet	RGBW	DMX	35	216	83	0.3	0.7	0.9	1.3	1.5	
									12.8	17.8	19.9	24.1	26.3
									0.6	1.4	1.7	2.4	2.7
DJLED-031-SSJ	Single stream jet fountain with Cool white light	Single stream Jet	Cool white	On/off	30	216	83	0.3	0.7	0.9	1.3	1.5	
									12.8	17.8	19.9	24.1	26.3
									0.6	1.4	1.7	2.4	2.7
DJLED-032-SSJ	Single stream jet fountain with Warm white light	Single stream Jet	Warm white	On/off	30	216	83	0.3	0.7	0.9	1.3	1.5	
									12.8	17.8	19.9	24.1	26.3
									0.3	0.7	0.9	1.3	1.5

\* Add suffix DMX to model number to order DMX controlled white light. i.e. DJLED-032-SSJ-DMX

\* Add suffix AUTO to model number to order Auto colour changing effect for RGBW light. i.e. DJLED-035-SSJ-AUTO



## Tri-stream Jet LED Deck Fountain

Model No.	Description	Nozzle Type	Light Colour	Light Control	Light Power (W)	A (mm)	B (mm)	Throw (m)	Height (m)				
									0.5	1	1.5	2	2.5
DJLED-035-TSJ	Tri-stream jet fountain with RGBW light	Tri-stream Jet	RGBW	DMX	35	216	83	0.15	0.58	0.77	1.14	1.33	
									0.15	0.58	0.77	1.14	1.33
									9.6	13.3	14.8	17.9	19.5
									0.7	1.4	1.8	2.4	2.8
DJLED-031-TSJ	Tri-stream jet fountain with Cool white light	Tri-stream Jet	Cool white	On/off	30	216	83	0.15	0.58	0.77	1.14	1.33	
									0.15	0.58	0.77	1.14	1.33
									9.6	13.3	14.8	17.9	19.5
									0.7	1.4	1.8	2.4	2.8
DJLED-032-TSJ	Tri-stream jet fountain with Warm white light	Tri-stream Jet	Warm white	On/off	30	216	83	0.15	0.58	0.77	1.14	1.33	
									0.15	0.58	0.77	1.14	1.33
									9.6	13.3	14.8	17.9	19.5
									0.7	1.4	1.8	2.4	2.8

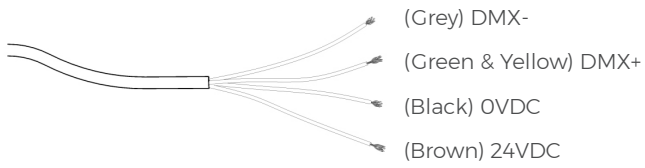
\* Add suffix DMX to model number to order DMX controlled white light. i.e. DJLED-032-TSJ-DMX

\* Add suffix AUTO to model number to order Auto colour changing effect for RGBW light. i.e. DJLED-035-TSJ-AUTO

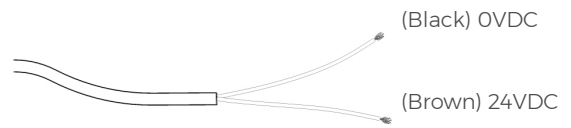
Deck Jet Light	DJLED Series	Model No. DJLED	Rev. 1	
<p>The information contained in this drawing is the sole property of Aquashi. Any reproduction in part or as a whole without the written permission of Aquashi is prohibited. Aquashi reserves the right to update all designs, specifications and data sheets without prior notice.</p>				

# Deck Jet Light - DJLED Series

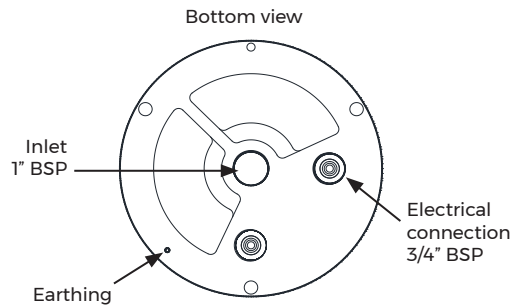
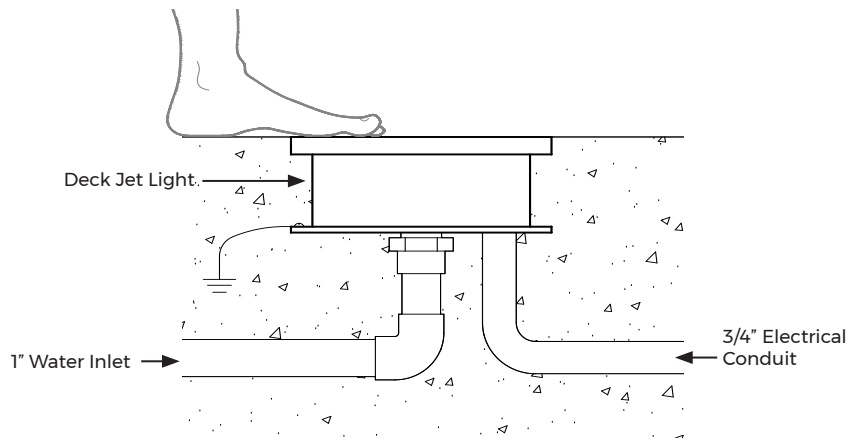
## RGBW Light Cable Connection




## Warm White/ Cool White Light Cable Connection



## Typical Installation



Deck Jet Light	DJLED Series	Model No. DJLED	Rev. 1	
<p>The information contained in this drawing is the sole property of Aquashi. Any reproduction in part or as a whole without the written permission of Aquashi is prohibited. Aquashi reserves the right to update all designs, specifications and data sheets without prior notice.</p>				