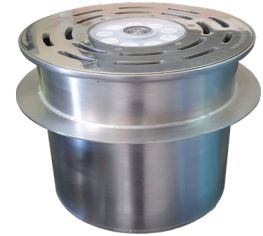


# Niched Slab Hanger Light with Nozzle - NSH Series

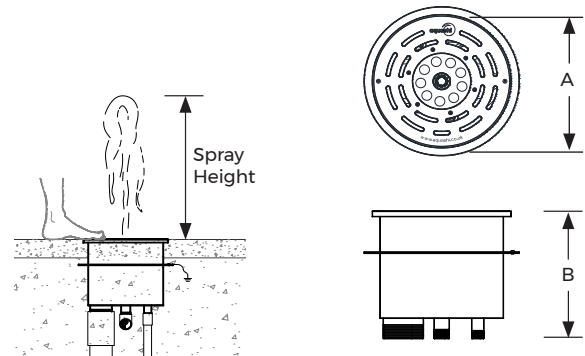
## Function

The Niched slab hanger light with nozzle comes complete with Column jet or Precision jet, LED light, integrated junction box and drain outlet for easy installation. The stainless steel niche is designed for poured concrete dry deck fountain & walkable applications. The LED light is available in RGBW or white colour, DMX controlled for sequencing effects. An incorporated valve for nozzle height adjustment is also included.



## Specifications

- Light Power**  
30 - 35W
- Light Voltage**  
12 - 24V DC
- Light Colours**  
RGBW / White
- Light Cable**  
4 C - 1 mm<sup>2</sup> (DMX light)  
2 C - 1.5 mm<sup>2</sup> (White light)
- Light Material:**  
Stainless steel 316
- Light Front Cover:**  
Polycarbonate clear cover
- Junction Box**  
Stainless steel 316 with cord seals
- Nozzle Material**  
Stainless steel 316
- Niche & Cover Material**  
Stainless steel 316
- Connection Sizes**  
1" BSP Inlet connection  
3/4" BSP Electrical connections  
3" BSP Drain connection
- Protection Rating:**  
Light: IP 68, IK 10  
Junction Box: IP 68



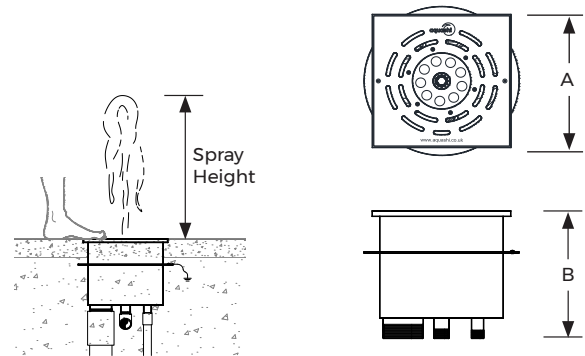
### Round Niched Slab Hanger with Column Jet Nozzle

Model No.	Nozzle Type	Slab Hanger Shape	Light Colour	Light Control	Light Power (W)	Luminous Flux (lm)	A (mm)	B (mm)	Spray Height (m)	0.5	1	1.5	2	2.5
NSH-S035R-CLM-100	Column Jet	Round	RGBW	DMX	35	1369	305	312	Flow (LPM)	35.8	41.8	47.9	53.9	60
									Head (m)	5.5	8.3	11	13.8	16.5
NSH-S031R-CLM-100	Column Jet	Round	Cool white	On/off	30	2118	305	312	Flow (LPM)	35.8	41.8	47.9	53.9	60
									Head (m)	5.5	8.3	11	13.8	16.5
NSH-S032R-CLM-100	Column Jet	Round	Warm white	On/off	30	1871	305	312	Flow (LPM)	35.8	41.8	47.9	53.9	60
									Head (m)	5.5	8.3	11	13.8	16.5

\* Add suffix DMX to model number to order DMX controlled white light. i.e. NSH-S032R-CLM-100-DMX  
 \* Add suffix AUTO to model number to order Auto colour changing effect for RGBW light. i.e. NSH-S032R-CLM-100-AUTO

Niched Slab Hanger with Nozzle	NSH Series	Model No. NSH	Rev. 1	
The information contained in this drawing is the sole property of Aquashi. Any reproduction in part or as a whole without the written permission of Aquashi is prohibited. Aquashi reserves the right to update all designs, specifications and data sheets without prior notice.				

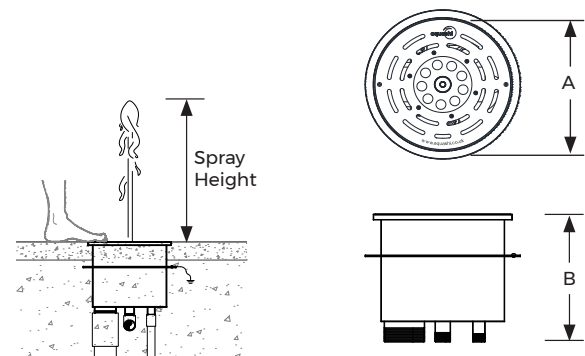
# Niched Slab Hanger Light with Nozzle - NSH Series



## Square Niched Slab Hanger with Column Jet Nozzle

Model No.	Nozzle Type	Slab Hanger Shape	Light Colour	Light Control	Light Power (W)	Luminous Flux (lm)	A (mm)	B (mm)	Spray Height (m)					
										0.5	1	1.5	2	2.5
NSH-S035S-CLM-100	Column Jet	Square	RGBW	DMX	35	1369	305	312	Flow (LPM)	35.8	41.8	47.9	53.9	60
									Head (m)	5.5	8.3	11	13.8	16.5
NSH-S031S-CLM-100	Column Jet	Square	Cool white	On/off	30	2118	305	312	Flow (LPM)	35.8	41.8	47.9	53.9	60
									Head (m)	5.5	8.3	11	13.8	16.5
NSH-S032S-CLM-100	Column Jet	Square	Warm white	On/off	30	1871	305	312	Flow (LPM)	35.8	41.8	47.9	53.9	60
									Head (m)	5.5	8.3	11	13.8	16.5


\* Add suffix DMX to model number to order DMX controlled white light. i.e. NSH-S032S-CLM-100-DMX  
 \* Add suffix AUTO to model number to order Auto colour changing effect for RGBW light. i.e. NSH-S032S-CLM-100-AUTO



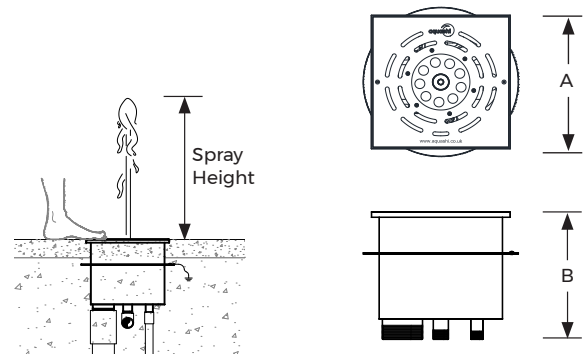
## Round Niched Slab Hanger with Precision Jet Nozzle

Model No.	Nozzle Type	Slab Hanger Shape	Light Colour	Light Control	Light Power (W)	Luminous Flux (lm)	A (mm)	B (mm)	Spray Height (m)					
										0.5	1	1.5	2	2.5
NSH-S035R-PJS-100	Precision Jet	Round	RGBW	DMX	35	1369	305	312	Flow (LPM)	27.5	34.1	40.7	46.2	51.7
									Head (m)	3.3	5.7	7.7	9.9	13.2
NSH-S031R-PJS-100	Precision Jet	Round	Cool white	On/off	30	2118	305	312	Flow (LPM)	27.5	34.1	40.7	46.7	51.7
									Head (m)	3.3	5.7	7.7	9.9	13.2
NSH-S032R-PJS-100	Precision Jet	Round	Warm white	On/off	30	1871	305	312	Flow (LPM)	27.5	34.1	40.7	46.7	51.7
									Head (m)	3.3	5.7	7.7	9.9	13.2

\* Add suffix DMX to model number to order DMX controlled white light. i.e. NSH-S032R-PJS-100-DMX  
 \* Add suffix AUTO to model number to order Auto colour changing effect for RGBW light. i.e. NSH-S032R-PJS-100-AUTO

Niched Slab Hanger with Nozzle	NSH Series	Model No. NSH	Rev. 1	
The information contained in this drawing is the sole property of Aquashi. Any reproduction in part or as a whole without the written permission of Aquashi is prohibited. Aquashi reserves the right to update all designs, specifications and data sheets without prior notice.				

# Niched Slab Hanger Light with Nozzle - NSH Series



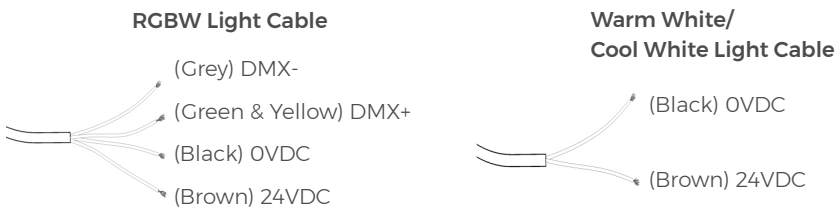
## Square Niched Slab Hanger with Precision Jet Nozzle

Model No.	Nozzle Type	Slab Hanger Shape	Light Colour	Light Control	Light Power (W)	Luminous Flux (lm)	A (mm)	B (mm)	Spray Height (m)					
										0.5	1	1.5	2	2.5
NSH-S035S-PJS-100	Precision Jet	Square	RGBW	DMX	35	1369	305	312	Flow (LPM)	27.5	34.1	40.7	46.2	51.7
										Head (m)	3.3	5.7	7.7	9.9
NSH-S031S-PJS-100	Precision Jet	Square	Cool white	On/off	30	2118	305	312	Flow (LPM)	27.5	34.1	40.7	46.7	51.7
										Head (m)	3.3	5.7	7.7	9.9
NSH-S032S-PJS-100	Precision Jet	Square	Warm white	On/off	30	1871	305	312	Flow (LPM)	27.5	34.1	40.7	46.7	51.7
										Head (m)	3.3	5.7	7.7	9.9

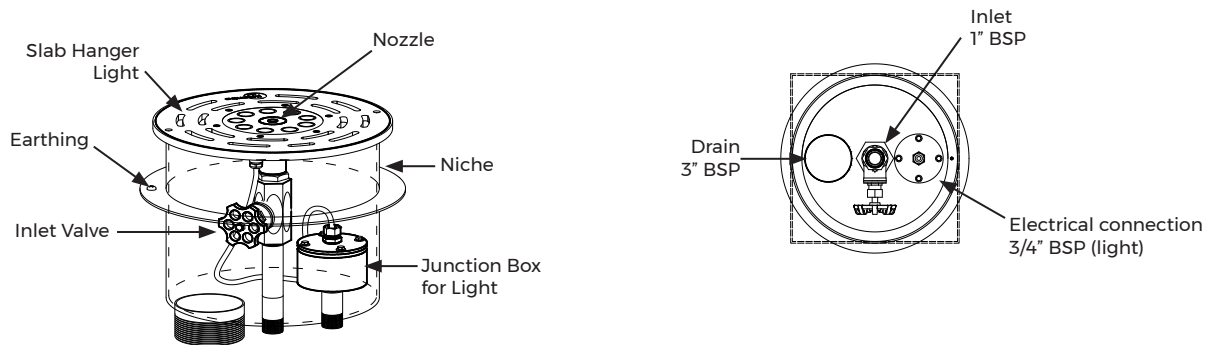
\* Add suffix DMX to model number to order DMX controlled white light. i.e. NSH-S032S-PJS-100-DMX

\* Add suffix AUTO to model number to order Auto colour changing effect for RGBW light. i.e. NSH-S032S-PJS-100-AUTO

## Connection Diagram



## Niched Slab hanger with nozzle Parts



Niched Slab Hanger with Nozzle	NSH Series	Model No. NSH	Rev. 0	
<p>The information contained in this drawing is the sole property of Aquashi. Any reproduction in part or as a whole without the written permission of Aquashi is prohibited. Aquashi reserves the right to update all designs, specifications and data sheets without prior notice.</p>				