

# Pool Bubbler Jet - PBJ-200

## Function

The Pool bubbler jet produces a geyser of water from pool floor. Designed to be installed flush with pool floor level without any intrusions for swimmers. Changes with water level will effect the performance of the nozzle.

Water level dependent.

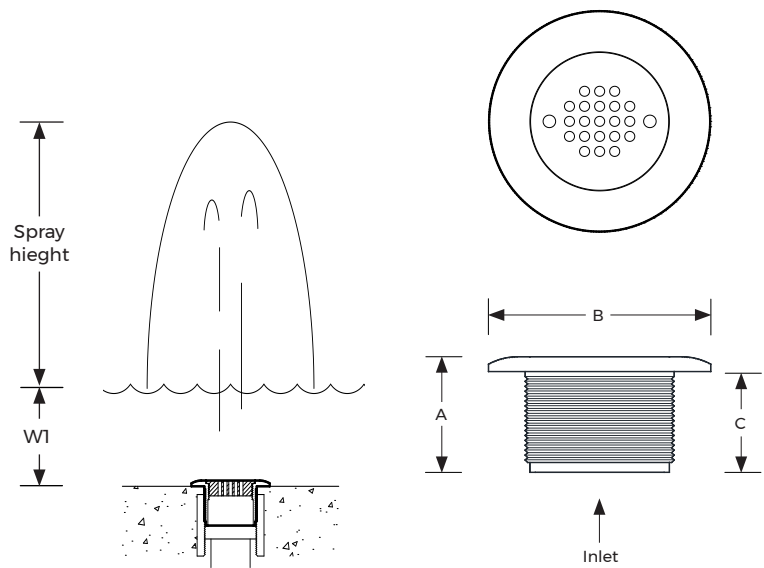
## Specifications

### Materials

Stainless steel 316


### Connection type

Male thread



Model No.	Inlet (BSP)	A (mm)	B (mm)	C (mm)	WI (mm)	Spray Height (m)	0.1	0.3	0.6	0.9
PBJ-200	2"	47	88	41	100	Flow (LPM)	50	94	136	176
						Head (m)	1.7	7.2	11	14.3
					150	Flow (LPM)	72	124	165	194
						Head (m)	5.5	13.2	22	31

\* For custom water depths contact Aquashi.

Pool Bubbler Jet	PBJ Series	Model No. PBJ-200	Rev. 0	
<p>The information contained in this drawing is the sole property of Aquashi. Any reproduction in part or as a whole without the written permission of Aquashi is prohibited. Aquashi reserves the right to update all designs, specifications and data sheets without prior notice.</p>				