

Slab Hanger Light with integrated Nozzle - SHLED-N Series

Function

The Slab hanger light with integrated nozzle designed for dry deck fountain and walkable installation.

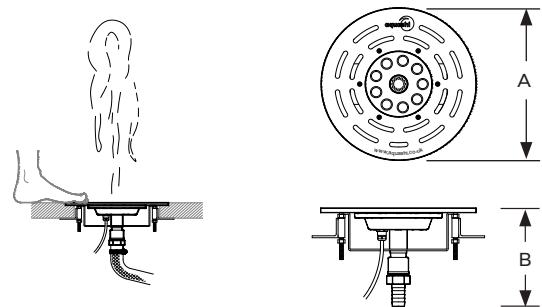
The LED light is available in RGBW or white colour, DMX controlled for sequencing effects.

Nozzles are available as Column or Precision jet effects. Supplied with barb fitting for hose clamp installation.



Specifications


Light Power 30 - 35W	Light Cable Length 2 m (Custom length available on request)
Light Voltage 12 - 24V DC	Nozzle Material Stainless steel 316
Light Colours RGBW / White	Connection Sizes 1" Hose barb fitting
Light Cable 4 C - 1 mm ² (DMX light) 2 C - 1.5 mm ² (White light)	Protection Rating: Light: IP 68, IK 10
Light Material: Stainless steel 316	
Light Front Cover: Polycarbonate clear cover	



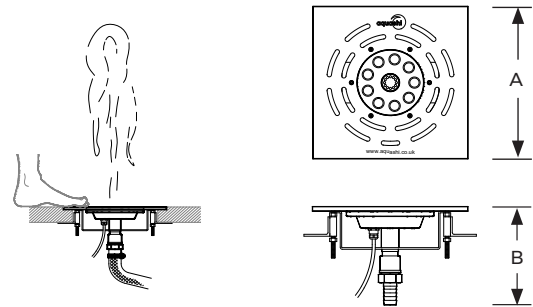
Round Slab Hanger with Column Jet Nozzle

Model No.	Nozzle Type	Slab Hanger Shape	Light Colour	Light Control	Light Power (W)	Luminous Flux (lm)	A (mm)	B (mm)	Spray Height (m)	0.5	1	1.5	2	2.5
SHLED-S035R-N-CLM	Column Jet	Round	RGBW	DMX	35	1369	300	185	Flow (LPM)	35.8	41.8	47.9	53.9	60
									Head (m)	5.5	8.3	11	13.8	16.5
SHLED-S031R-N-CLM	Column Jet	Round	Cool white	On/off	30	2118	300	185	Flow (LPM)	35.8	41.8	47.9	53.9	60
									Head (m)	5.5	8.3	11	13.8	16.5
SHLED-S032R-N-CLM	Column Jet	Round	Warm white	On/off	30	1871	300	185	Flow (LPM)	35.8	41.8	47.9	53.9	60
									Head (m)	5.5	8.3	11	13.8	16.5

* Add suffix DMX to model number to order DMX controlled white light. i.e. SHLED-S032R-N-CLM-DMX
 * Add suffix NM to model number to order a concrete flush mounded installation. i.e. SHLED-S032R-N-CLM-NM
 * Add suffix AUTO to model number to order Auto colour changing effect for RGBW light. i.e. SHLED-S035R-N-CLM-AUTO

Slab Hanger with Nozzle	SHLED-N Series	Model No. SHLED-N	Rev. 0	
The information contained in this drawing is the sole property of Aquashi. Any reproduction in part or as a whole without the written permission of Aquashi is prohibited. Aquashi reserves the right to update all designs, specifications and data sheets without prior notice.				

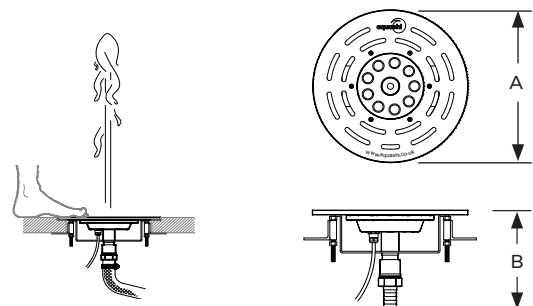
Slab Hanger Light with integrated Nozzle - SHLED-N Series



Square Slab Hanger with Column Jet Nozzle

Model No.	Nozzle Type	Slab Hanger Shape	Light Colour	Light Control	Light Power (W)	Luminous Flux (lm)	A (mm)	B (mm)	Spray Height (m)					
										0.5	1	1.5	2	2.5
SHLED-S035S-N-CLM	Column Jet	Square	RGBW	DMX	35	1369	300	185	Flow (LPM)	35.8	41.8	47.9	53.9	60
									Head (m)	5.5	8.3	11	13.8	16.5
SHLED-S031S-N-CLM	Column Jet	Square	Cool white	On/off	30	2118	300	185	Flow (LPM)	35.8	41.8	47.9	53.9	60
									Head (m)	5.5	8.3	11	13.8	16.5
SHLED-S032S-N-CLM	Column Jet	Square	Warm white	On/off	30	1871	300	185	Flow (LPM)	35.8	41.8	47.9	53.9	60
									Head (m)	5.5	8.3	11	13.8	16.5


* Add suffix DMX to model number to order DMX controlled white light. i.e. SHLED-S032S-N-CLM-DMX
 * Add suffix NM to model number to order a concrete flush mounded installation. i.e. SHLED-S032S-N-CLM-NM
 * Add suffix AUTO to model number to order Auto colour changing effect for RGBW light. i.e. SHLED-S035S-N-CLM-AUTO



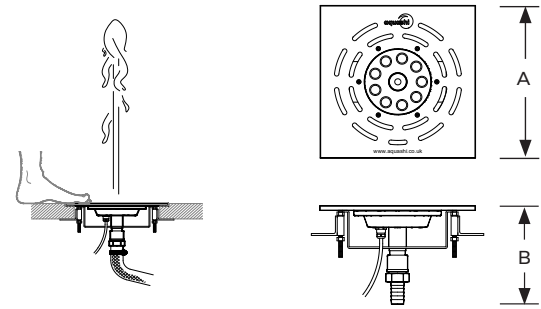
Round Slab Hanger with Precision Jet Nozzle

Model No.	Nozzle Type	Slab Hanger Shape	Light Colour	Light Control	Light Power (W)	Luminous Flux (lm)	A (mm)	B (mm)	Spray Height (m)					
										0.5	1	1.5	2	2.5
SHLED-S035R-N-PJS	Precision Jet	Round	RGBW	DMX	35	1369	300	185	Flow (LPM)	27.5	34.1	40.7	46.2	51.7
									Head (m)	3.3	5.7	7.7	9.9	13.2
SHLED-S031R-N-PJS	Precision Jet	Round	Cool white	On/off	30	2118	300	185	Flow (LPM)	27.5	34.1	40.7	46.7	51.7
									Head (m)	3.3	5.7	7.7	9.9	13.2
SHLED-S031R-N-PJS	Precision Jet	Round	Warm white	On/off	30	1871	300	185	Flow (LPM)	27.5	34.1	40.7	46.7	51.7
									Head (m)	3.3	5.7	7.7	9.9	13.2

* Add suffix DMX to model number to order DMX controlled white light. i.e. SHLED-S032R-N-PJS-DMX
 * Add suffix NM to model number to order a concrete flush mounded installation. i.e. SHLED-S032R-N-PJS-NM
 * Add suffix AUTO to model number to order Auto colour changing effect for RGBW light. i.e. SHLED-S035R-N-PJS-AUTO

Slab Hanger with Nozzle	SHLED-N Series	Model No. SHLED-N	Rev. 0	
The information contained in this drawing is the sole property of Aquashi. Any reproduction in part or as a whole without the written permission of Aquashi is prohibited. Aquashi reserves the right to update all designs, specifications and data sheets without prior notice.				

Slab Hanger Light with integrated Nozzle - SHLED-N Series

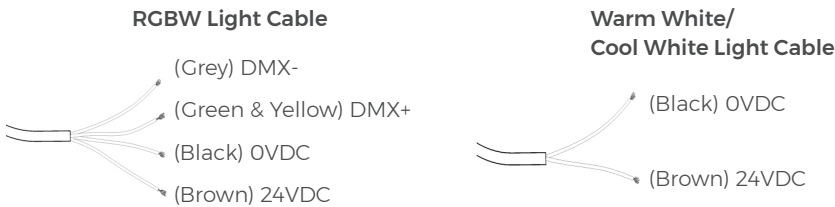


Square Slab Hanger with Precision Jet Nozzle

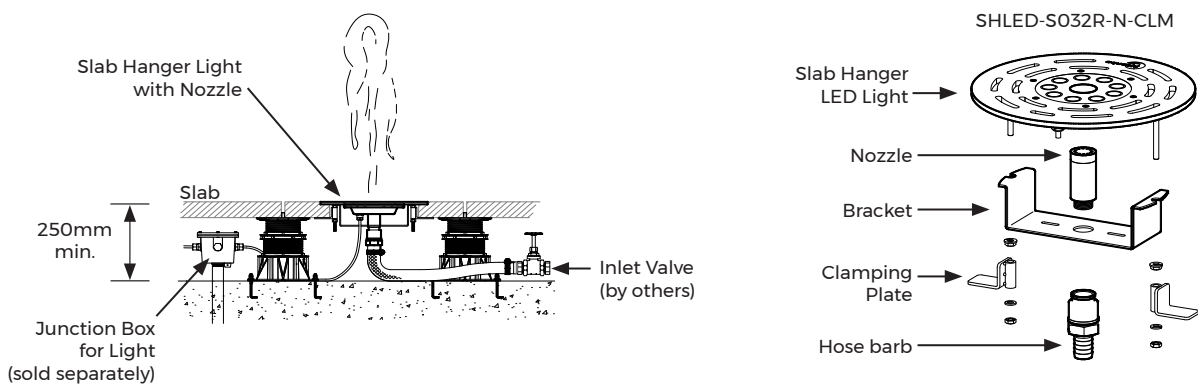
Model No.	Nozzle Type	Slab Hanger Shape	Light Colour	Light Control	Light Power (W)	Luminous Flux (lm)	A (mm)	B (mm)	Spray Height (m)	Spray Height (m)				
										0.5	1	1.5	2	2.5
SHLED-S035S-N-PJS	Precision Jet	Square	RGBW	DMX	35	1369	300	185	Flow (LPM)	27.5	34.1	40.7	46.2	51.7
									Head (m)	3.3	5.7	7.7	9.9	13.2
SHLED-S031S-N-PJS	Precision Jet	Square	Cool white	On/off	30	2118	300	185	Flow (LPM)	27.5	34.1	40.7	46.7	51.7
									Head (m)	3.3	5.7	7.7	9.9	13.2
SHLED-S031S-N-PJS	Precision Jet	Square	Warm white	On/off	30	1871	300	185	Flow (LPM)	27.5	34.1	40.7	46.7	51.7
									Head (m)	3.3	5.7	7.7	9.9	13.2

* Add suffix DMX to model number to order DMX controlled white light. i.e. SHLED-S032S-N-PJS-DMX
 * Add suffix NM to model number to order a concrete flush mounded installation. i.e. SHLED-S032S-N-PJS-NM
 * Add suffix AUTO to model number to order Auto colour changing effect for RGBW light. i.e. SHLED-S035S-N-PJS-AUTO

Connection Diagram



Slab hanger with nozzle Parts



Slab Hanger with Nozzle	SHLED-N Series	Model No. SHLED-N	Rev. 0	
<p>The information contained in this drawing is the sole property of Aquashi. Any reproduction in part or as a whole without the written permission of Aquashi is prohibited. Aquashi reserves the right to update all designs, specifications and data sheets without prior notice.</p>				