

# Suction Drain - SDF-S Series

## Function

Stainless steel 316 floor mounted suction drain with strainer and plate. Strainer intercepts debris and the anti-vortex plate prevents air entrainment. Optional adjustable flow regulator.

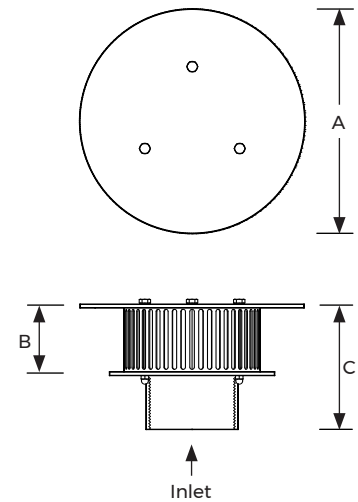
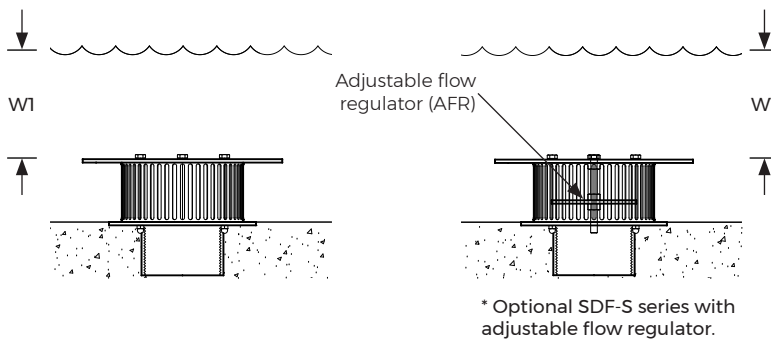
## Specifications

### Materials

Stainless steel 316

### Connection type

Female thread



Model No.	Inlet (BSP)	A (mm)	B (mm)	C (mm)	Min. Water Level WL (mm)	Recommended Max. Flow (m <sup>3</sup> /H)
SDF-S200	2"	200	73	125	80	11.5
SDF-S300	3"	300	95	160	100	25.2
SDF-S400	4"	300	95	160	200	41.4
SDF-S600	6"	390	115	200	254	90
SDF-S800	8"	510	140	225	260	162

\* Add suffix AFR to model number to order with Adjustable flow regulator, i.e. SDF-S400-AFR

Suction Drain	SDF-S Series	Model No. SDF-S	Rev. 2	
<p>The information contained in this drawing is the sole property of Aquashi. Any reproduction in part or as a whole without the written permission of Aquashi is prohibited. Aquashi reserves the right to update all designs, specifications and data sheets without prior notice.</p>				