

Water Level Tube Sensor - WLS-E Series

Function

Water level tube sensor automatically monitors high alarm, quick fill and safe off functions. Electrodes are 40mm adjustable in height for on site adjustment. The unit is small and has no moving parts. Can be installed upside down for tank level sensor.

Low Voltage for Safety. To be used in conjunction with the WLC-1000 series water level controller for controlling solenoid valves or any other requirement.



Specifications

Materials

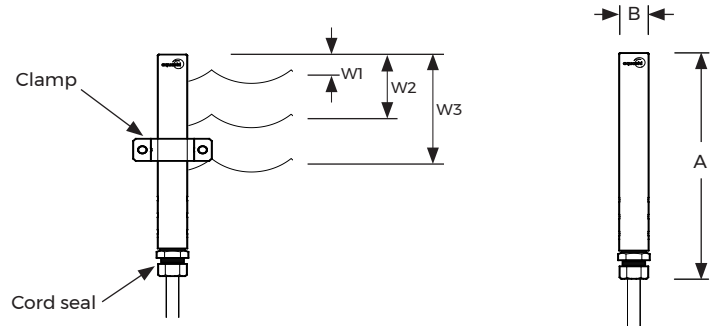
Tube: Stainless steel 316,
Cord seal: Brass

Electrical Connection
Volt Free Contact

Cable
4 C - 1 mm²

Standard Cable Length
3m
(Custom length available on request)

Protection Rating
IP68



| Model No. | No. of Electrodes | Detection Levels | W1 (mm) | W2 (mm) | W3 (mm) | A (mm) | B (mm) |
|-----------|-------------------|------------------|---------|---------|---------|--------|--------|
| WLS-E-300 | 4 | 3 | 10 | 50 | 90 | 200 | 23 |

Note:

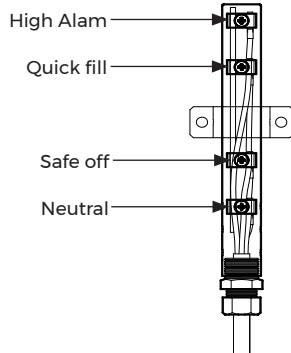
- Hi-Alarm operation shuts down all in-pool electrical functions until high water level is resolved.
- Quick fill operation triggers fresh water supply valve to replenish the water loss in the pool.
- Safe-off operation shuts off all in-pool electrical functions during low level conditions.

** Refer to installation manual for a more detailed explanation.

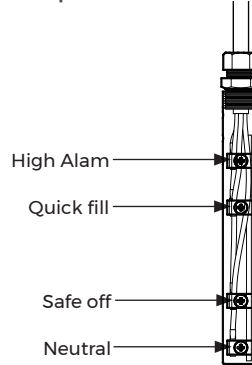
| | | | | |
|--|--------------|-----------------|--------|--|
| Water Level Sensor | WLS-E Series | Model No. WLS-E | Rev. 1 | |
| <p>The information contained in this drawing is the sole property of Aquashi. Any reproduction in part or as a whole without the written permission of Aquashi is prohibited. Aquashi reserves the right to update all designs, specifications and data sheets without prior notice.</p> | | | | |

Water Level Tube Sensor - WLT Series

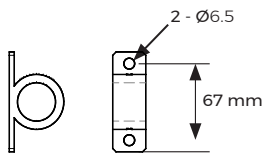
Water Level Tube Sensor Electrode set-up for Pools:



Water Level Tube Sensor Electrode set-up for Tanks:



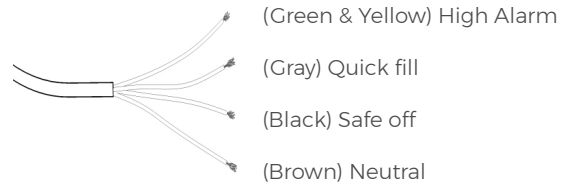
Clamp hole measurement



Water Level Tube Sensor Electrode Cable Connection set-up for Pools:




Water Level Tube Sensor Electrode Cable Connection set-up for Tanks:



Accessories (Sold Separately)



Water Level Controller
* WLC-1000

| | | | | |
|--|--------------|-----------------|--------|---|
| Water Level Sensor | WLS-E Series | Model No. WLS-E | Rev. 1 |  |
| <p>The information contained in this drawing is the sole property of Aquashi. Any reproduction in part or as a whole without the written permission of Aquashi is prohibited. Aquashi reserves the right to update all designs, specifications and data sheets without prior notice.</p> | | | | |