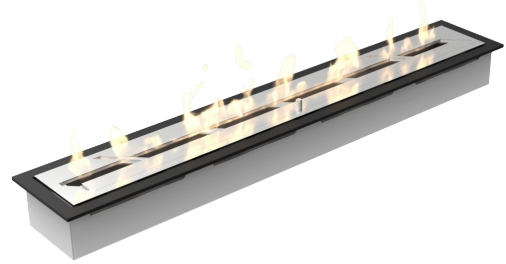


# Bioethanol Burner - Built-in Burner

## Function

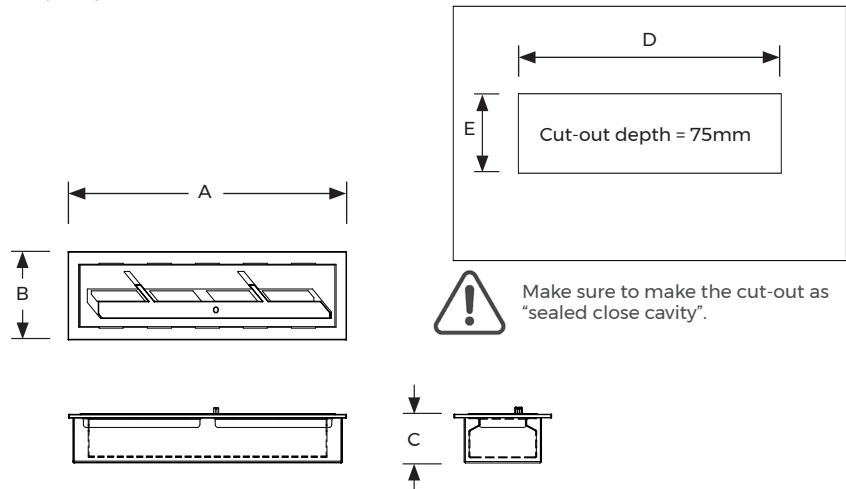
Built-in burner is a manual drop-down bioethanol burner. The flame height can be manually adjusted. The net integrated in burner allows reducing the fuel consumption and therefore the burner can be placed in various outdoor settings.



This burner's bioethanol fuel creates a clear combustion without smoke, smell and soot emission and with no need for chimney or ventilation. Bioethanol Fuel is denatured, i.e. made unfit for human consumption. Our Bioethanol fire feature can be operated only with bioethanol of at least 96% but maximum of 97% purity.

### Features:

- No chimney required
- No smoke, ash or soot
- Glass screen (optional)
- Made to measure lengths (optional)
- Curved Shape available by request
- L Shaped available by request



## Specifications

### Materials

Brushed Stainless steel and optional hardened optic glass shield

Model No.	Fuel Capacity	Fuel Consumption	Burning Time	Heat Output	Minimum Room size	A (mm)	B (mm)	C (mm)	D (mm) Cut-out length	E (mm) Cut-out width
Built-in Burner 400	1.9 L	0.33 l/h	3 hr - 6 hr	2 kW/h	42 m <sup>3</sup>	445	142	70	435	125
Built-in Burner 500	2.5 L	0.42 l/h	4 hr - 7 hr	2.5 kW/h	51 m <sup>3</sup>	545	142	70	535	125
Built-in Burner 600	3.1 L	0.52 l/h	5 hr - 8 hr	3 kW/h	60 m <sup>3</sup>	645	142	70	635	125
Built-in Burner 700	3.6 L	0.60 l/h	5 hr - 9 hr	3.5 kW/h	70 m <sup>3</sup>	745	142	70	735	125
Built-in Burner 800	4.1 L	0.68 l/h	5 hr - 9 hr	4 kW/h	80 m <sup>3</sup>	845	142	70	835	125
Built-in Burner 900	4.6 L	0.77 l/h	5 hr - 10 hr	4.5 kW/h	90 m <sup>3</sup>	945	142	70	935	125



### Precautions:

- Always use common sense when handling fire and flammable materials.
- Burner will get hot while operating.
- Never put fuel into open flames.
- Do not place any flammable materials within 1 meter of the burner, and atleast 2 meters away from windows and curtains.
- Only use in well-ventillated rooms.
- Do not store the fuel in the same area as the Burner.
- Do not use as a means to cook. Keep away from children.
- Cut-out should be according to the drawing
- The wall itself should be non-flammable
- Follow sample installation on the next page.
- Aquashi strongly recommends installing one or more glass shields in order to protect the flame draught, while keeping it vivid.

Bioethanol Burner	Built-in Burner	Rev. 2	
<p>The information contained in this drawing is the sole property of Aquashi. Any reproduction in part or as a whole without the written permission of Aquashi is prohibited. Aquashi reserves the right to update all designs, specifications and data sheets without prior notice.</p>			

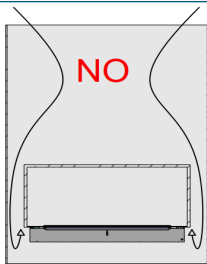
# Bioethanol Burner - Built-in Burner

## Sample Installation

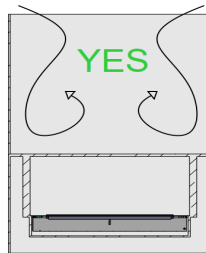


The glass shield is available on request and can be mounted on the furniture/wall in which the fire place is installed. Please see above the situation where the glass is optional and where it is mandatory.

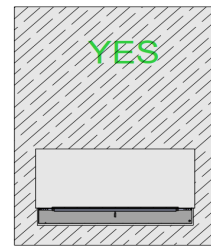
## Installation guide - Wall Construction:



**Do not!** install Bioethanol Fire Burner in a wall construction which is open above and below fire place.

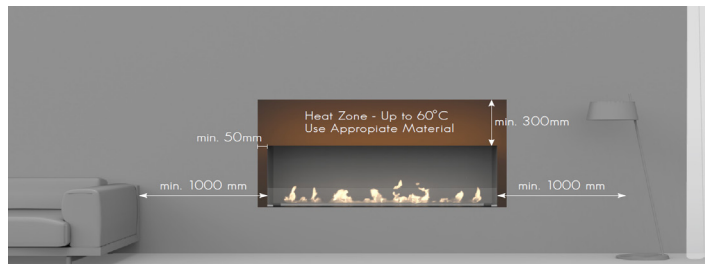


**Do!** install Bioethanol Fire Burner in a wall construction which is closed above and below fire place. Make sure to create a closed cavity for then section below and baseplate of the fire.



**Do!** install Bioethanol Fire Burner in a massive wall (Solid wall made of bricks, stone or gas beton).

## Installation guide near Television or any furnatures:



Bioethanol Burner	Built-in Burner		Rev. 2	
<p>The information contained in this drawing is the sole property of Aquashi. Any reproduction in part or as a whole without the written permission of Aquashi is prohibited. Aquashi reserves the right to update all designs, specifications and data sheets without prior notice.</p>				