

LED Pool Light - DVM Series

Function

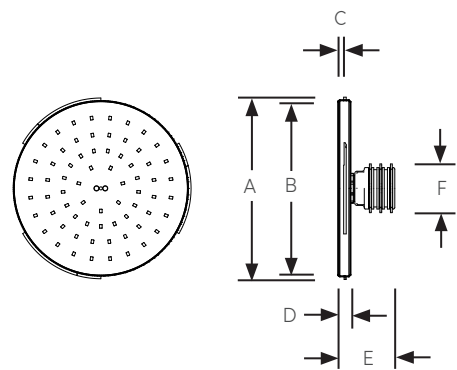
DVM Series are medium level lumen output LED lamps suitable for swimming pools. The LED lamps come in single or multicolour (RGB) LED providing a range of colours and effects which can create a special ambience to the pool depending on the users mood or special occasions. The LED lamp is fully sealed and IP68 rated so water cannot penetrate or damage the fixture. Fitted with the Quick Connect cabling system that is reliable and easy to mount or remove for maintenance without the need to drain the pool or cut cables.

RGB LED lights have an embedded 16 programmed animation can be controlled using the RF remote (RM-200) or by simply turning off and on the lamps in a sequenced manner. Available in 50, 100 and 170mm diameter lamp sizes.



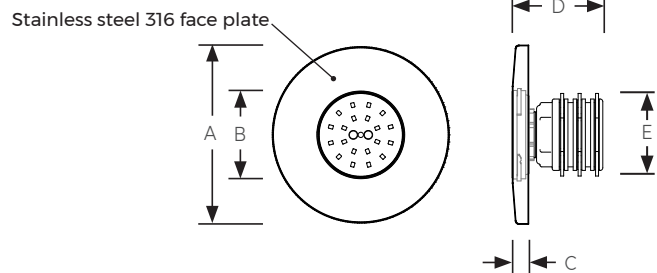
Specifications

Power 5W - 20W	Control On/off	Lamp Life: 25,000 Hrs
Voltage 12V AC	Cable 2 C - 1 mm ²	Protection Rating: IP 68
Colours RGB / White	Standard Cable Length 2 meters	IEC class III
Beam Angle: 116 °	Temperature range: +40° water temperature	



LED Pool Lamp

Model No.	Description	Colour	Power (W)	Luminous flux (lm)	A (mm)	B (mm)	C (mm)	D (mm)	E (mm)	F (BSP)
DVM-050-WH	Ø50 White Pool light	White (5000 K)	5	375	56	50	4	11.5	55	1.5
DVM-100-WH	Ø100 White Pool light	White (5000 K)	9	875	106	100	5	11.5	55	1.5
DVM-170-RGB	Ø170 RGB Pool light	RGB	20	1600	175	170	5	11.5	55	1.5
DVM-170-WH	Ø170 White Pool light	White (5000 K)	17	5000	175	170	5	11.5	55	1.5



LED Pool Lamp with Face plate

Model No.	Description	Colour	Power (W)	Luminous flux (lm)	A (mm)	B (mm)	C (mm)	D (mm)	E (BSP)
SPL-DVM-050-WH	Ø50 White Pool light	White (5000 K)	5	375	100	50	10	54	1.5
SPL-DVM-100-WH	Ø100 White Pool light	White (5000 K)	9	875	170	100	10	54	1.5
SPL-DVM-170-RGB	Ø170 RGB Pool light	RGB	20	1600	270	170	10	54	1.5
SPL-DVM-170-WH	Ø170 White Pool light	White (5000 K)	17	1675	270	170	10	54	1.5

Underwater LED Swimming Pool Light	DVM Series	Model No. DVM	Rev. 1	
<p>The information contained in this drawing is the sole property of Aquashi. Any reproduction in part or as a whole without the written permission of Aquashi is prohibited. Aquashi reserves the right to update all designs, specifications and data sheets without prior notice.</p>				

LED Pool Light - DVM Series

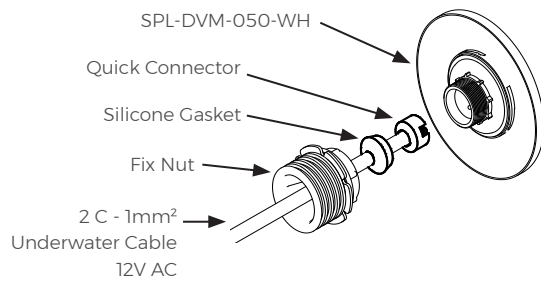


Precautions:

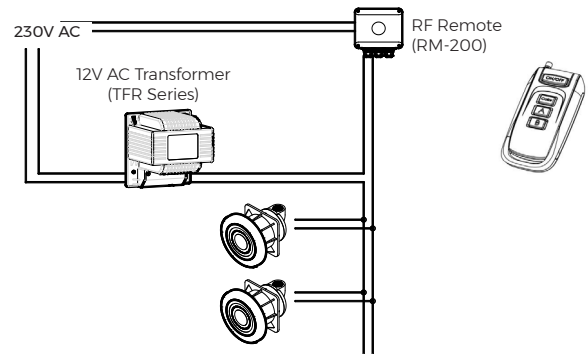
- * DVM series lamps must be completely submerged into water during operation.
- * Fixing the lamps with adhesives or silicone kit into a niche is not allowed.
- * For operation only with safety isolation transformer

Connection Diagram

Quick Connect cabling system

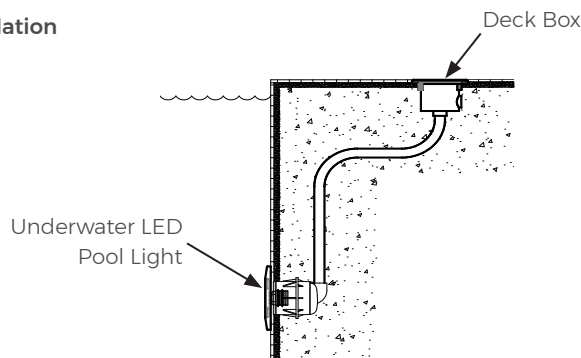


Typical wiring installation

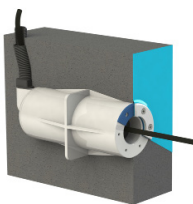


Typical Installation

Swimming Pool Installation



Accessories



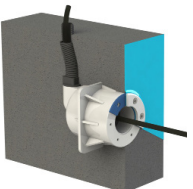
PZA-WC-S

* Niche for SPL-DVM
 Built-in length: 247 mm
 Hole size: 1.5" BSP (front), 3/4" BSP (back)
 (Available upon request)



PZA-WG-S

* Niche with flange for SPL-DVM
 Built-in length: 191 mm
 Hole size: 1.5" BSP (flange), 3/4" BSP (back)
 (Available upon request)



PZA-WCS-S

* Niche for SPL-DVM
 Built-in length: 130 mm
 Hole size: 1.5" BSP (front), 3/4" BSP (back)
 (Available upon request)

Underwater LED Swimming Pool Light	DVM Series	Model No. DVM	Rev. 1	
<p>The information contained in this drawing is the sole property of Aquashi. Any reproduction in part or as a whole without the written permission of Aquashi is prohibited. Aquashi reserves the right to update all designs, specifications and data sheets without prior notice.</p>				