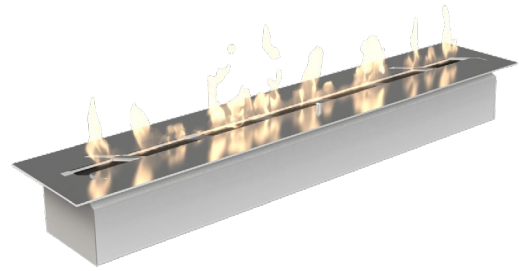


Bioethanol Burner - Outdoor Burner

Function

Outdoor burner is a manual drop-down bioethanol burner designed for outdoor use. The flame height can be manually adjusted.

This burner's bioethanol fuel creates a clear combustion without smoke, smell and soot emission and with no need for chimney or ventilation. Bioethanol Fuel is denatured, i.e. made unfit for human consumption. Our Bioethanol fire feature can be operated only with bioethanol of at least 96% but maximum of 97% purity.



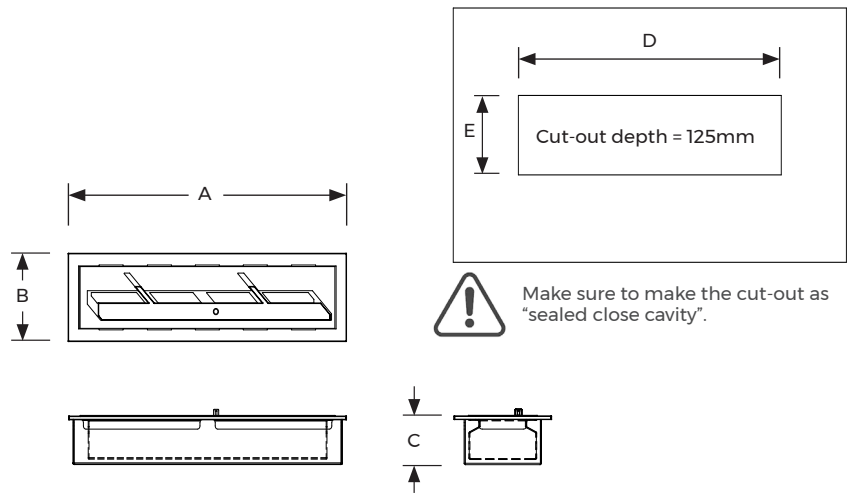
Features:

- No chimney required
- No smoke, ash or soot
- Glass screen (optional)
- Made to measure lengths (optional)
- Curved Shape available by request
- L Shaped available by request

Specifications

Materials

Brushed Stainless steel



Model No.	Fuel Capacity	Burning Time	Heat Output	A (mm)	B (mm)	C (mm)	D (mm) Cut-out length	E (mm) Cut-out width
Outdoor Burner 900	10 L	7 hr - 14 hr	4.1 kW/h	980	220	115	935	160



Precautions:

- Always use common sense when handling fire and flammable materials.
- Burner will get hot while operating.
- Never put fuel into open flames.
- Do not place any flammable materials within 1 meter of the burner, and atleast 2 meters away from windows and curtains.
- Only use in well-ventillated rooms.
- Do not store the fuel in the same area as the Burner.
- Do not use as a means to cook. Keep away from children.
- Cut-out should be according to the drawing
- The wall itself should be non-flammable
- Follow sample installation on the next page.
- Aquashi strongly recommends installing one or more glass shields in order to protect the flame draught, while keeping it vivid.

Bioethanol Burner	Outdoor Burner		Rev. 0	
<p>The information contained in this drawing is the sole property of Aquashi. Any reproduction in part or as a whole without the written permission of Aquashi is prohibited. Aquashi reserves the right to update all designs, specifications and data sheets without prior notice.</p>				

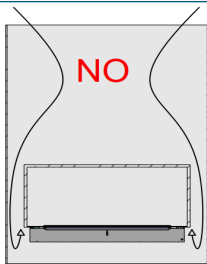
Bioethanol Burner - Outdoor Burner

Sample Installation

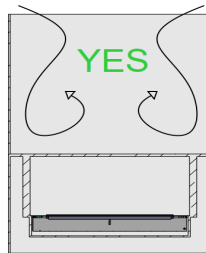


The glass shield is available on request and can be mounted on the furniture/wall in which the fire place is installed. Please see above the situation where the glass is optional and where it is mandatory.

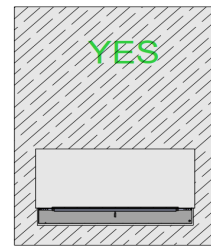
Installation guide - Wall Construction:



Do not! install Bioethanol Fire Burner in a wall construction which is open above and below fire place.



Do! install Bioethanol Fire Burner in a wall construction which is closed above and below fire place. Make sure to create a closed cavity for then section below and baseplate of the fire.



Do! install Bioethanol Fire Burner in a massive wall (Solid wall made of bricks, stone or gas beton).

Installation guide near Television or any furnatures:



Bioethanol Burner	Outdoor Burner		Rev. 0	
<p>The information contained in this drawing is the sole property of Aquashi. Any reproduction in part or as a whole without the written permission of Aquashi is prohibited. Aquashi reserves the right to update all designs, specifications and data sheets without prior notice.</p>				