

Swimming Pool Light - PLP Series

Function

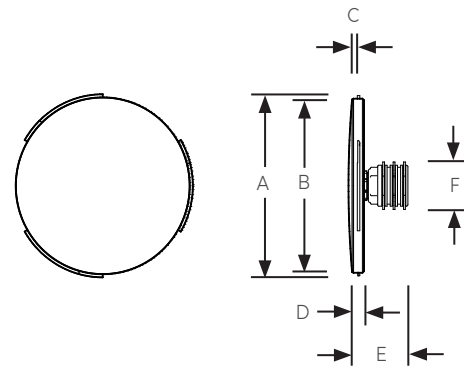
PLP Series offers a range of fixed colours and dynamic scenarios. Best paired with Remote - Link Touch to have a wider range of control functions such as pool light colour temperature and dimming level adjustment. The LED lamps come in single or multicolour (RGB) LED providing a range of colours and effects which can create a special ambience to the pool depending on the users mood or special occasions. The LED lamp is fully sealed and IP68 rated so water cannot penetrate or damage the fixture. Fitted with the Quick Connect cabling system that is reliable and easy to mount or remove for maintenance without the need to drain the pool or cut cables.

If not used with Remote Link touch, RGB LED lights have an embedded 16 programmed animation can be controlled using the RF remote (RM-200) or by simply turning off and on the lamps in a sequenced manner. Available in 50, 100 and 170mm diameter lamp sizes.




Specifications

Power 8W - 40W	Standard Cable Length 2 meters
Voltage 12V AC	Temperature range: +40° water temperature
Colours RGB / Day White	Lamp Life: 25,000 Hrs
Beam Angle: 116 °	Protection Rating: IP 68
Control On/off	IEC class III
Cable 2 C - 1 mm ²	

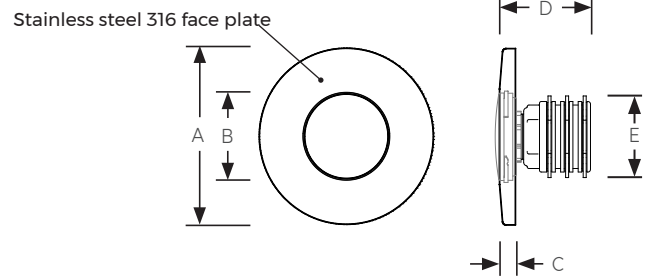


LED Pool Lamp

Model No.	Description	Colour	Power (W)	Luminous flux (lm)	A (mm)	B (mm)	C (mm)	D (mm)	E (mm)	F (BSP)
PLP-050-RGB	Ø50 RGB Pool light	RGB	12	650	56	50	4	10	54	1.5
PLP-050-TW	Ø50 Tunable White Pool light	White (3000 - 6500 K)	14	700	56	50	4	10	54	1.5
PLP-050-WH	Ø50 Day White Pool light	Day White (5000 K)	8	750	56	50	4	10	54	1.5
PLP-050-WW	Ø50 Warm White Pool light	Warm White (3300 K)	8	700	56	50	4	10	54	1.5
PLP-100-RGB	Ø100 RGB Pool light	RGB	31	1900	106	100	5	10	54	1.5
PLP-100-TW	Ø100 Tunable White Pool light	White (3000 - 6500 K)	27	2150	106	100	5	10	54	1.5
PLP-100-WH	Ø100 Day White Pool light	Day White (5000 K)	25	2600	106	100	5	10	54	1.5
PLP-100-WW	Ø100 Warm White Pool light	Warm White (3300 K)	23	2400	106	100	5	10	54	1.5
PLP-170-RGB	Ø170 RGB Pool light	RGB	66	3700	175	170	5	10	54	1.5
PLP-170-TW	Ø170 Tunable White Pool light	White (3000 - 6500 K)	70	4250	175	170	5	10	54	1.5
PLP-170-WH	Ø170 Day White Pool light	Day White (5000 K)	57	5500	175	170	5	10	54	1.5
PLP-170-WW	Ø170 Warm White Pool light	Warm White (3300 K)	55	4950	175	170	5	10	54	1.5

Underwater LED Swimming Pool Light	PLP Series	Model No. PLP	Rev. 0	
<p>The information contained in this drawing is the sole property of Aquashi. Any reproduction in part or as a whole without the written permission of Aquashi is prohibited. Aquashi reserves the right to update all designs, specifications and data sheets without prior notice.</p>				

Swimming Pool Light - PLP Series



LED Pool Lamp with Face plate

Model No.	Description	Colour	Power (W)	Luminous flux (lm)	A (mm)	B (mm)	C (mm)	D (mm)	E (mm)	F (BSP)
SPL-PLP-050-RGB	Ø50 RGB Pool light	RGB	12	650	100	50	10	54	1.5	1.5
SPL-PLP-050-TW	Ø50 Tunable White Pool light	White (3000 - 6500 K)	14	700	100	50	10	54	1.5	1.5
SPL-PLP-050-WH	Ø50 Day White Pool light	Day White (5000 K)	8	750	100	50	10	54	1.5	1.5
SPL-PLP-050-WW	Ø50 Warm White Pool light	Warm White (3300 K)	8	700	100	50	10	54	1.5	1.5
SPL-PLP-100-RGB	Ø100 RGB Pool light	RGB	31	1900	170	100	10	54	1.5	1.5
SPL-PLP-100-TW	Ø100 Tunable White Pool light	White (3000 - 6500 K)	27	2150	170	100	10	54	1.5	1.5
SPL-PLP-100-WH	Ø100 Day White Pool light	Day White (5000 K)	25	2600	170	100	10	54	1.5	1.5
SPL-PLP-100-WW	Ø100 Warm White Pool light	Warm White (3300 K)	23	2400	170	100	10	54	1.5	1.5
SPL-PLP-170-RGB	Ø170 RGB Pool light	RGB	66	3700	270	170	10	54	1.5	1.5
SPL-PLP-170-TW	Ø170 Tunable White Pool light	White (3000 - 6500 K)	70	4250	270	170	10	54	1.5	1.5
SPL-PLP-170-WH	Ø170 Day White Pool light	Day White (5000 K)	57	5500	270	170	10	54	1.5	1.5
SPL-PLP-170-WW	Ø170 Warm White Pool light	Warm White (3300 K)	55	4950	270	170	10	54	1.5	1.5

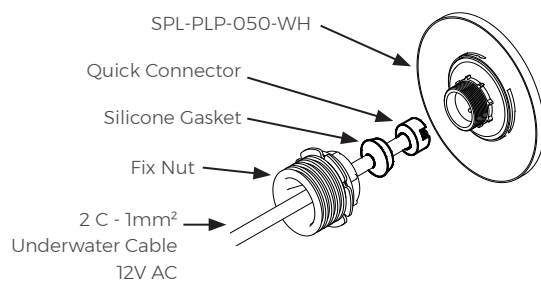


Precautions:

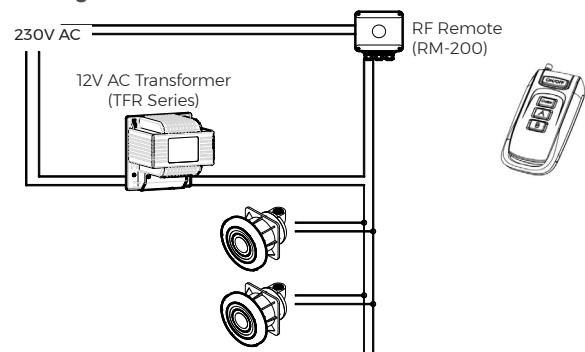
- * DVS series lamps must be completely submerged into water during operation.
- * Fixing the lamps with adhesives or silicone kit into a niche is not allowed.
- * For operation only with safety isolation transformer

Connection Diagram

Quick Connect cabling system



Typical wiring installation



Underwater LED Swimming Pool Light	PLP Series	Model No. PLP	Rev. 0	
<p>The information contained in this drawing is the sole property of Aquashi. Any reproduction in part or as a whole without the written permission of Aquashi is prohibited. Aquashi reserves the right to update all designs, specifications and data sheets without prior notice.</p>				