

Swimming pool Niche - PZA Series

Function

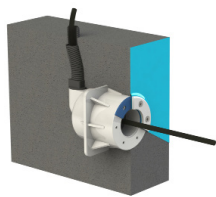
Swimming pool niche designed for a range of pool types from concrete to fibreglass pools. Internal cable gland keeps the conduit dry. Interior space of niche holds up to 3m length of cable dependent on the model, sufficient for the light fixture to reach surface for maintenance above water.



Specifications

Material

Plastic / Stainless steel 316



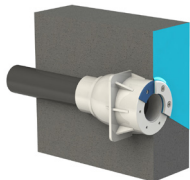
Niche for Concrete pool with PVC flex tube

Model No.	A (mm)	B (BSP)	C (BSP)
PZA-WCS-S	145	1.5	3/4
PZA-WC-S	260	1.5	3/4



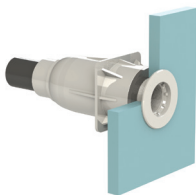
Niche for FRP pool with PVC flex tube

Model No.	A (mm)	B (BSP)	C (BSP)
PZA-WG-S	200	1.5	3/4



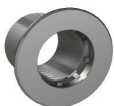
Niche for Concrete pool with PVC pipe

Model No.	A (mm)	B (BSP)	C (mm)
PZA-WCS-G	165	1.5	Ø50 - Ø63
PZA-WC-G	280	1.5	Ø50 - Ø63



Niche for FRP pool with PVC pipe

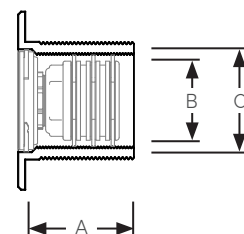
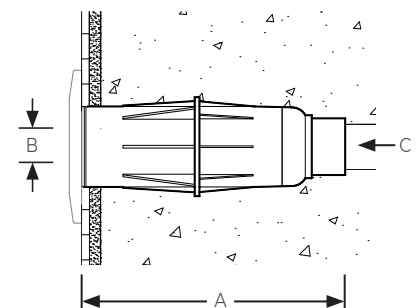
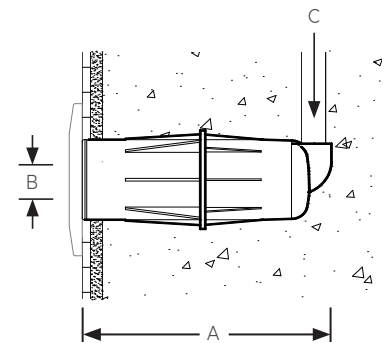
Model No.	A (mm)	B (BSP)	C (mm)
PZA-WG-G	220	1.5	Ø50 - Ø63



Stainless steel 316 Flange

Model No.	A (mm)	B (BSP)	C (BSP)
PZA-WG-RSS	60	1.5	2

* For use only with DVP-050 model.



Swimming Pool Niche	PZA Series	Model No. PZA	Rev. 0	
<p>The information contained in this drawing is the sole property of Aquashi. Any reproduction in part or as a whole without the written permission of Aquashi is prohibited. Aquashi reserves the right to update all designs, specifications and data sheets without prior notice.</p>				