

Ultra flat LED Pool Light - UF-DVM- Series

Function

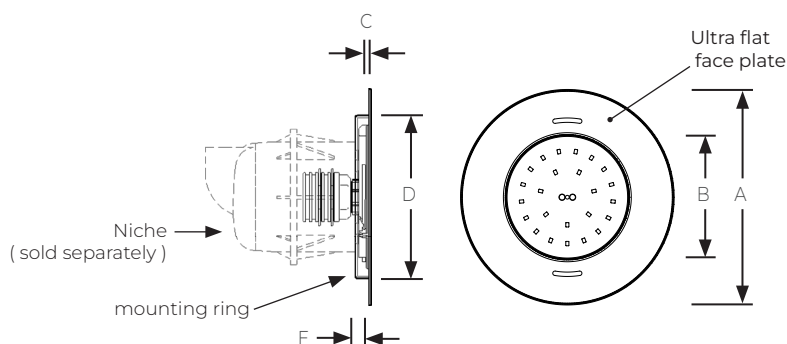
Ultra flat LED Pool Light DVM Series features a lamp with 2mm thick ultra flat stainless steel 316 face plate and matching mounting ring that will be fitted in its niche. The lamps offers a range of fixed colours and dynamic scenarios. Best paired with Remote - Link Touch to have a wider range of control functions such as pool light colour temperature and dimming level adjustment. The LED lamp is fully sealed so water cannot penetrate or damage the fixture. Fitted with the Quick Connect cabling system that is reliable and easy to mount.

RGB LED lights have an embedded 11 fixed colour programs. These lights can be controlled using the Link Driver (RM-200) or by simply toggling the lamps off and on in a specific sequence. Available in 50, 100 and 170mm diameter lamp sizes.




Specifications

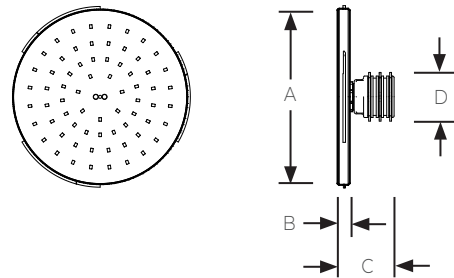
Power 5W - 20W	Standard Cable Length 2 meters
Voltage 12V AC	Temperature range: +40° water temperature
Colours RGB / White (5000 K)	Lamp Life: 25,000 Hrs
Beam Angle: 116 °	Protection Rating: IP 68, IEC class III
Control On/off	
Cable 2 C - 1 mm ²	



Model No.	Description	Colour	Power (W)	Luminous flux (lm)	A (mm)	B (mm)	C (mm)	D (mm)	E (mm)
UF-DVM-050-RGB	Ø50 DVM- RGB Ultra flat Pool light with mounting ring	RGB	8	400	100	50	2	84	11
UF-DVM-050-WH	Ø50 DVM- White Ultra flat Pool light with mounting ring	White (5000 K)	5	375	100	50	2	84	11
UF-DVM-100-RGB	Ø100 DVM- RGB Ultra flat Pool light with mounting ring	RGB	16	1000	170	100	2	132	11
UF-DVM-100-WH	Ø100 DVM- White Ultra flat Pool light with mounting ring	White (5000 K)	9	875	170	100	2	132	11
UF-DVM-170-RGB	Ø170 DVM- RGB Ultra flat Pool light with mounting ring	RGB	20	1600	270	170	2	208	11
UF-DVM-170-WH	Ø170 DVM- White Ultra flat Pool light with mounting ring	White (5000 K)	17	1675	270	170	2	208	11

Ultra flat Pool LED Light	UF-DVM Series	Model No. UF-DVM	Rev. 0	
<p>The information contained in this drawing is the sole property of Aquashi. Any reproduction in part or as a whole without the written permission of Aquashi is prohibited. Aquashi reserves the right to update all designs, specifications and data sheets without prior notice.</p>				

Ultra flat LED Pool Light - UF-DVM- Series



LED Pool Lamp (for retrofit)

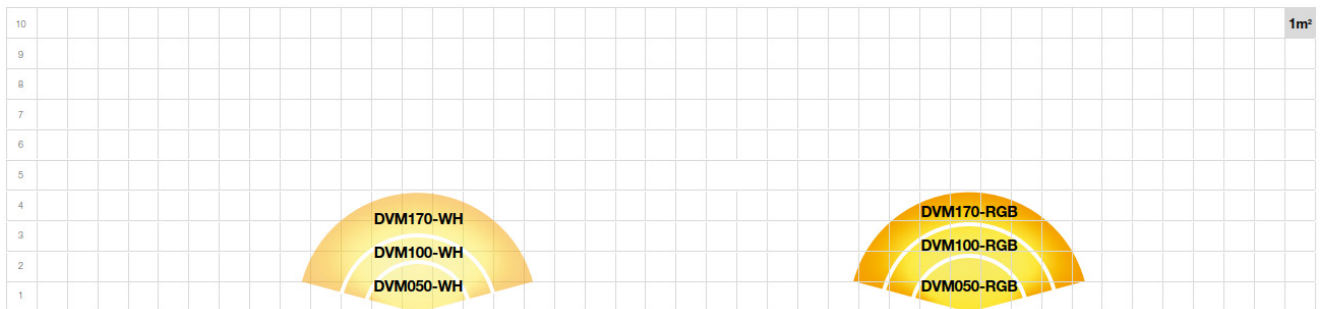
Model No.	Description	Colour	Power (W)	Luminous flux (lm)	A (mm)	B (mm)	C (mm)	D (BSP)
DVM-050-RGB	Ø50 DVM - RGB Pool Lamp	RGB	8	400	50	10	55	1.5
DVM-050-WH	Ø50 DVM - White Pool Lamp	White (5000 K)	5	375	50	10	55	1.5
DVM-100-RGB	Ø100 DVM - RGB Pool Lamp	RGB	16	1000	100	10	55	1.5
DVM-100-WH	Ø100 DVM - White Pool Lamp	White (5000 K)	9	875	100	10	55	1.5
DVM-170-RGB	Ø170 DVM - RGB Pool Lamp	RGB	20	1600	170	10	55	1.5
DVM-170-WH	Ø170 DVM - White Pool Lamp	White (5000 K)	17	1675	170	10	55	1.5



Precautions:

- * DVM series lamps must be completely submerged into water during operation.
- * Fixing the lamps with adhesives or silicone kit into a niche is not allowed.
- * For operation only with safety isolation transformer

Illumination per m²:

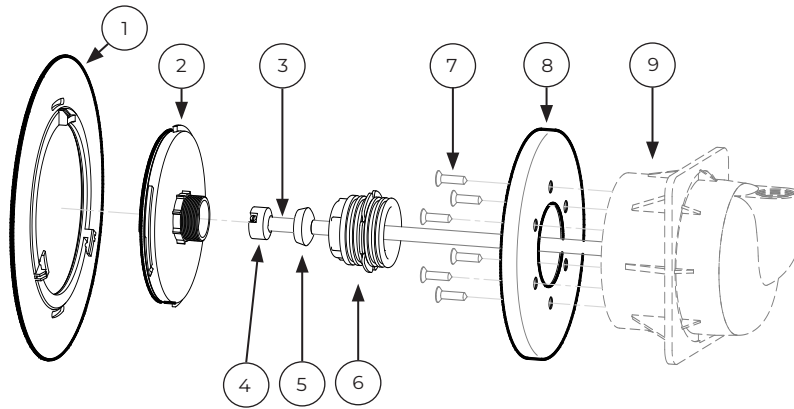


- * Values in graph refer to swimming pools with white or light-coloured walls that require 100 - 150 lm/m².
- * Increase the light (lumen) by 50% for medium colours.
- * Dark walls are difficult to illuminate and need up to 250% extra light.

Ultra flat Pool LED Light	UF-DVM Series	Model No. UF-DVM	Rev. 0	
<p>The information contained in this drawing is the sole property of Aquashi. Any reproduction in part or as a whole without the written permission of Aquashi is prohibited. Aquashi reserves the right to update all designs, specifications and data sheets without prior notice.</p>				

Ultra flat LED Pool Light - UF-DVM- Series

Connection Diagram



Lamp Assembly

#	Part Name
1	Ø100 Ultra flat faceplate
2	DVM-100-RGB

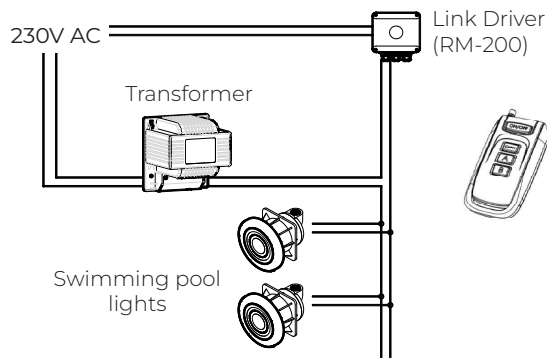
Quick Connect cable system

#	Part Name
3	2 C - 1mm ² Underwater Cable (12V AC)
4	Quick connector
5	Silicone Gasket
6	Fix Nut

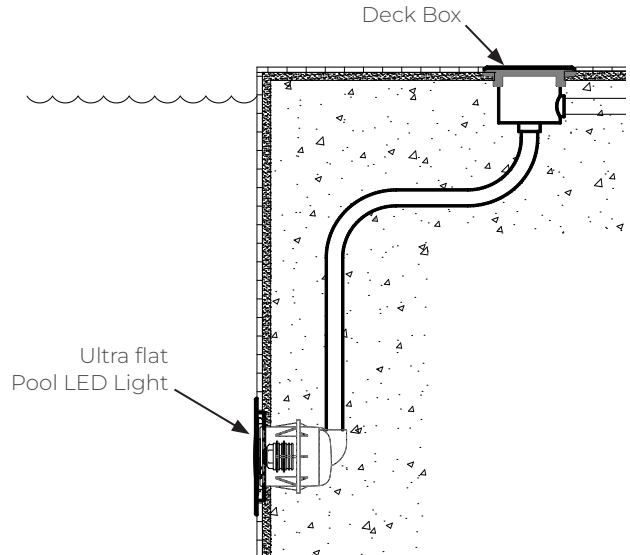
Niche Assembly

#	Part Name
7	4.5 X 20 self tapping Philips flat screw
8	Ø100 mounting ring
9	Niche (sold separately)

Typical wiring installation



Typical Swimming Pool Installation



Synchronizing & color changing (only for RGB lamps)

Manual synchronization

1. Turn the lamps ON and make sure all lights up.
2. Turn them OFF for MINIMUM 20 seconds (max 60 sec)
3. Switch ON and Switch OFF (max 3 sec ON and 3 sec OFF)
4. Switch ON and Switch OFF (max 3 sec ON and 3 sec OFF)
5. Switch ON
6. The lamps should now all be on colour program 6 : BLUE

Ultra flat Pool LED Light	UF-DVM Series	MModel No. UF-DVM	Rev. 0	
<p>The information contained in this drawing is the sole property of Aquashi. Any reproduction in part or as a whole without the written permission of Aquashi is prohibited. Aquashi reserves the right to update all designs, specifications and data sheets without prior notice.</p>				

Ultra flat LED Pool Light - UF-DVM- Series

Changing colors

Turn the lamps OFF and quickly back ON, The lamp will jump to the next colour program.

Memorizing the actual color

1. Turn the lamps OFF for MINIMUM 20 seconds
2. The chosen colour has now been memorized

11 Colour programs (only for RGB Lamps)

Program #	Program Name	Colour
1	CANDLE LIGHT	2000K very warm white
2	WARM WHITE	3000K warm white
3	NEUTRAL WHITE	5000K neutral white
4	COLD WHITE	9500K cold white
5	CARIBBEAN BLUE	cyan
6	BLUE	blue
7	GREEN	green
8	RED	red
9	PURPLE	purple
10	YELLOW DYNAMIC	slow animation yellow
11	BLUE DYNAMIC	fast animation blue

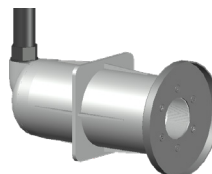
Accessories



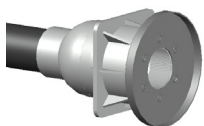
Link Driver
RM-200
* for all DVM Series
Swimming pool lights



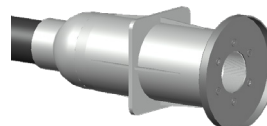
PZA-WCS-NG + PZA-FLEX-S
* Niche for UF-DVM
Built-in length: 145 mm
Hole size: 1.5" BSP
Conduit connection: 3/4" BSP



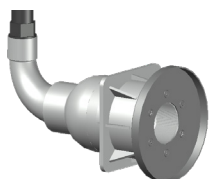
PZA-WC-NG + PZA-FLEX-S
* Niche for UF-DVM
Built-in length: 262 mm
Hole size: 1.5" BSP
Conduit connection: 3/4" BSP



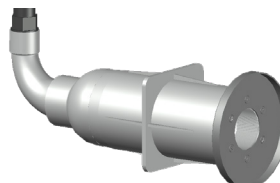
PZA-WCS-NG
* Niche for UF-DVM
Built-in length: 152 mm
Hole size: 1.5" BSP
Conduit connection: 50mm Pipe



PZA-WC-NG
* Niche for UF-DVM
Built-in length: 269 mm
Hole size: 1.5" BSP
Conduit connection: 50mm Pipe



PZA-WCS-NG + PZA-FLEX-NG
* Niche for UF-DVM
Built-in length: 225 mm
Hole size: 1.5" BSP
Conduit connection: 3/4" BSP



PZA-WC-NG + PZA-FLEX-NG
* Niche for UF-DVM
Built-in length: 345 mm
Hole size: 1.5" BSP
Conduit connection: 3/4" BSP

Ultra flat Pool LED Light	UF-DVM Series	MModel No. UF-DVM	Rev. 0	
<p>The information contained in this drawing is the sole property of Aquashi. Any reproduction in part or as a whole without the written permission of Aquashi is prohibited. Aquashi reserves the right to update all designs, specifications and data sheets without prior notice.</p>				