

LED Pool Light - SPL-DVA Series

Function

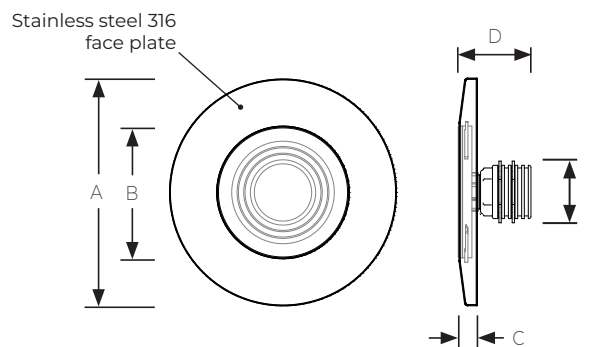
The DVA Series features an extensive range of colour options through its White, Warm white and RGBW capabilities. Best paired with Remote - Link Touch to have a wider range of control functions such as pool light colour temperature and dimming level adjustment. The LED lamp is fully sealed so water cannot penetrate or damage the fixture. Fitted with Quick Connect cabling system that is reliable and easy to mount or move for maintenance without the need to drain the pool or cut cables.

RGB LED lights have an embedded 14 programmed animation can be controlled using the Link Driver (RM-200) or by simply turning off and on the lamps in a sequenced manner. Available in 50, 100 and 170mm diameter lamp sizes.




Specifications

Power 10W -50W	Dimmable Use with Link Touch
Voltage 12V AC	Cable 2 C - 1 mm ²
Colours RGBW / White	Standard Cable Length 2 meters
Beam Angle: 116 °	Temperature range: +40° water temperature
Control On/off or PLC	Protection Rating: IP 68 , IEC class III

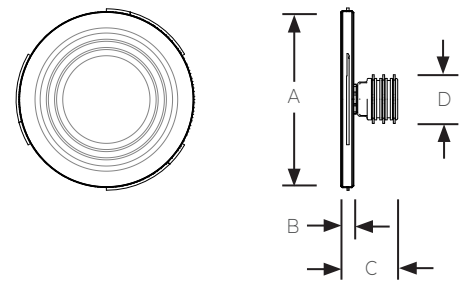


LED Pool Lamp with Face plate

Model No.	Description	Colour	Power (W)	Luminous flux (lm)	A (mm)	B (mm)	C (mm)	D (mm)	E (BSP)
SPL-DVA-050-RGBW	Ø50 DVA - RGBW Pool light with Faceplate	RGBW	10	650	100	50	10	55	1.5
SPL-DVA-050-WW	Ø50 DVA - Warm White Pool light with Faceplate	White (3500K)	8.5	800	100	50	10	55	1.5
SPL-DVA-050-WH	Ø50 DVA - White Pool light with Faceplate	White (7700K)	8.5	800	100	50	10	55	1.5
SPL-DVA-100-RGBW	Ø100 DVA - RGBW Pool light with Faceplate	RGBW	25	1900	170	100	10	55	1.5
SPL-DVA-100-WW	Ø100 DVA - Warm White Pool light with Faceplate	White (3500K)	25	2600	170	100	10	55	1.5
SPL-DVA-100-WH	Ø100 DVA - White Pool light with Faceplate	White (7700K)	25	2600	170	100	10	55	1.5
SPL-DVA-170-RGBW	Ø170 DVA - RGBW Pool light with Faceplate	RGBW	50	3800	270	170	10	55	1.5
SPL-DVA-170-WW	Ø170 DVA - Warm White Pool light with Faceplate	White (3500K)	50	5500	270	170	10	55	1.5
SPL-DVA-170-WH	Ø170 DVA - White Pool light with Faceplate	White (7700K)	50	5500	270	170	10	55	1.5

Underwater LED Swimming Pool Light	DVA Series	Model No. SPL-DVA	Rev. 0	
<p>The information contained in this drawing is the sole property of Aquashi. Any reproduction in part or as a whole without the written permission of Aquashi is prohibited. Aquashi reserves the right to update all designs, specifications and data sheets without prior notice.</p>				

LED Pool Light - SPL-DVA Series



LED Pool Lamp

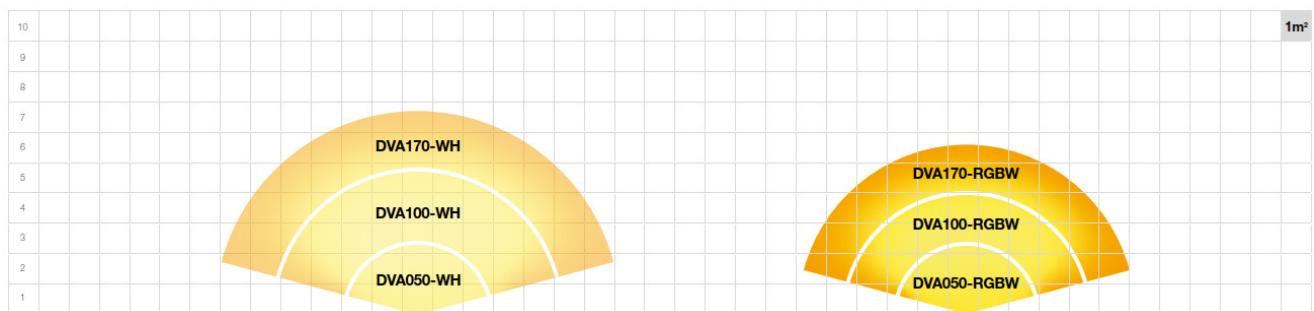
Model No.	Description	Colour	Power (W)	Luminous flux (lm)	A (mm)	D (mm)	C (mm)	D (BSP)
DVA-050-RGBW	Ø50 DVA - RGBW Pool lamp	RGBW	10	650	50	10	55	1.5
DVA-050-WW	Ø50 DVA - Warm White Pool lamp	White (3500K)	8.5	800	50	10	55	1.5
DVA-050-WH	Ø50 DVA - White Pool lamp	White (7700K)	8.5	800	50	10	55	1.5
DVA-100-RGBW	Ø100 DVA - RGBW Pool lamp	RGBW	25	1900	100	10	55	1.5
DVA-100-WW	Ø100 DVA - Warm White Pool lamp	White (3500K)	25	2600	100	10	55	1.5
DVA-100-WH	Ø100 DVA - White Pool lamp	White (7700K)	25	2600	100	10	55	1.5
DVA-170-RGBW	Ø170 DVA - RGBW Pool lamp	RGBW	50	3800	170	10	55	1.5
DVA-170-WW	Ø170 DVA - Warm White Pool lamp	White (3500K)	50	5500	170	10	55	1.5
DVA-170-WH	Ø170 DVA - White Pool lamp	White (7700K)	50	5500	170	10	55	1.5



Precautions:

- * DVA series lamps must be completely submerged into water during operation.
- * Fixing the lamps with adhesives or silicone kit into a niche is not allowed.
- * For operation only with safety isolation transformer

Illumination per m²:

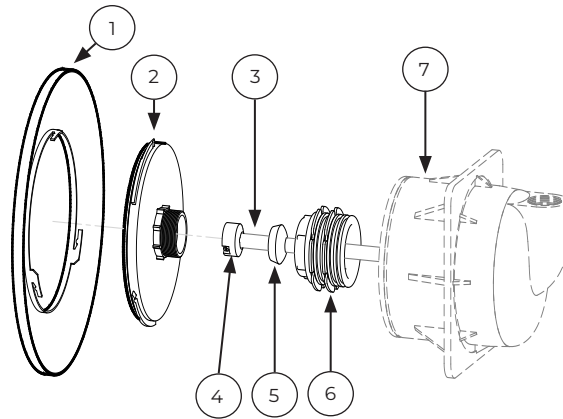


- * Values in graph refer to swimming pools with white or light-coloured walls that require 100 - 150 lm/m².
- * Increase the light (lumen) by 50% for medium colours.
- * Dark walls are difficult to illuminate and need up to 250% extra light.

Underwater LED Swimming Pool Light	DVA Series	Model No. SPL-DVA	Rev. 0	
<p>The information contained in this drawing is the sole property of Aquashi. Any reproduction in part or as a whole without the written permission of Aquashi is prohibited. Aquashi reserves the right to update all designs, specifications and data sheets without prior notice.</p>				

LED Pool Light - SPL-DVA Series

Connection Diagram



Lamp Assembly

#	Part Name
1	Ø100 SS faceplate (RO type)
2	DVA-100-RGB

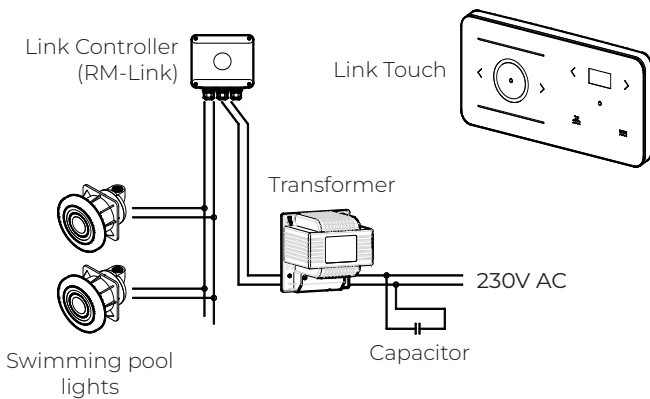
Quick Connect cable system

#	Part Name
3	2 C - 1mm² Underwater Cable (12V AC)
4	Quick connector
5	Silicone Gasket
6	Fix Nut

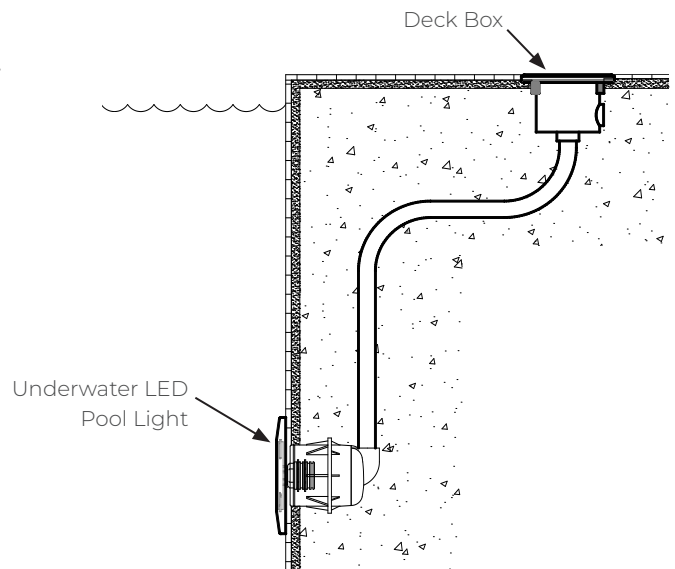
Niche Assembly

#	Part Name
7	Niche (sold separately)

Typical wiring installation



Typical Swimming Pool Installation



Underwater LED Swimming Pool Light	DVA Series	Model No. SPL-DVA	Rev. 0	
<p>The information contained in this drawing is the sole property of Aquashi. Any reproduction in part or as a whole without the written permission of Aquashi is prohibited. Aquashi reserves the right to update all designs, specifications and data sheets without prior notice.</p>				

LED Pool Light - SPL-DVA Series

Synchronizing & color changing (only for RGBW lamps)

Manual synchronization

1. Turn the lamps ON and make sure all lights up.
2. Turn them OFF for MINIMUM 20 seconds
3. Switch ON and Switch OFF, Switch ON and Switch OFF
4. Switch ON
5. The lamps should now all be on colour program 1

Using Link Controller (RM-Link) with handheld RF Remote

1. Turn the lamps ON and push the UP button 10 times. Wait for 20 seconds, then turn the lamps OFF.
2. Repeat this process until the lamps react to the remote. As soon as the lamps follow the remote: wait 1 minute.
3. The lamps are now synced.

Using Link Controller (RM-Link) with Link Touch

1. Make sure the Link Touch is paired with Link Controller. To pair, make sure both are in about <2m proximity with each other. Select " Pair Start" on the Link Touch screen then power ON the device. Pairing mode will be in about 2 minutes.
2. Turn the lamps on and spin the colour wheel on the Link Touch until the lamps react.
3. If the lamps do not react, turn them off and back on until they react to the colour wheel.
4. As soon as the lamps follow the colour wheel: wait 1 minute.
5. The lamps are now synced.

Changing colors


Turn the lamps OFF and quickly back ON, The lamp will jump to the next colour program.

Memorizing the actual color

1. Turn the lamps OFF for MINIMUM 20 seconds
2. The chosen colour has now been memorized

14 Colour programs (only for RGBW Lamps)

Program #	Program Name	Colour
1	DEEP BLUE SEA	saturated blue
2	DAYLIGHT BLUE	light blue
3	SUNSET	slow animation from orange to red
4	LOVE IS IN THE AIR	red
5	FOREST SPRING	green
6	THINK PINK	pink
7	SUNSHINE	yellow
8	JUNGLE BEACH	slow animation blue and green tints
9	VOODOO	slow animation red and purple tints
10	DISCO	fast animation lila - pink - peach - yellow - green blue
11	PARTY	fast animation blue - green - red - pink - yellow - green
12	WARM WHITE	3000K
13	NEUTRAL WHITE	6000K
14	SUN WHITE	10500K

Underwater LED Swimming Pool Light	DVA Series	Model No. SPL-DVA	Rev. 0	
<p>The information contained in this drawing is the sole property of Aquashi. Any reproduction in part or as a whole without the written permission of Aquashi is prohibited. Aquashi reserves the right to update all designs, specifications and data sheets without prior notice.</p>				

LED Pool Light - SPL-DVA Series

Accessories



Link Driver
RM-200
* for all DVA Series
Swimming pool lights



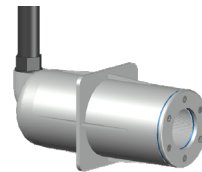
Link Touch - RGBW
* for RGBW lights



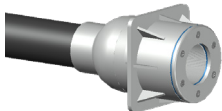
Link Controller
RM-Link
* for all DVA Series
Swimming pool lights



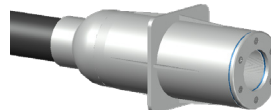
PZA-WCS-NG + PZA-FLEX-S
* Niche for SLP-DVA
Built-in length: 145 mm
Hole size: 1.5" BSP
Conduit connection: 3/4" BSP



PZA-WC-NG + PZA-FLEX-S
* Niche for SLP-DVA
Built-in length: 262 mm
Hole size: 1.5" BSP
Conduit connection: 3/4" BSP



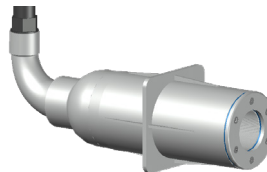
PZA-WCS-NG
* Niche for SLP-DVA
Built-in length: 152 mm
Hole size: 1.5" BSP
Conduit connection: 50mm Pipe



PZA-WC-NG
* Niche for SLP-DVA
Built-in length: 269 mm
Hole size: 1.5" BSP
Conduit connection: 50mm Pipe



PZA-WCS-NG + PZA-FLEX-NG
* Niche for SLP-DVA
Built-in length: 225 mm
Hole size: 1.5" BSP
Conduit connection: 3/4" BSP



PZA-WC-NG + PZA-FLEX-NG
* Niche for SLP-DVA
Built-in length: 345 mm
Hole size: 1.5" BSP
Conduit connection: 3/4" BSP

Underwater LED Swimming Pool Light	DVA Series	Model No. SPL-DVA	Rev. 0	
<p>The information contained in this drawing is the sole property of Aquashi. Any reproduction in part or as a whole without the written permission of Aquashi is prohibited. Aquashi reserves the right to update all designs, specifications and data sheets without prior notice.</p>				