

Link Driver - RM-200

Function

The Link Driver - RM-200 wirelessly control swimming pool LED lamps via a handheld RF remote from distances of up to 30 meters. The Link Driver also features two extra outputs for connecting additional electronically controlled devices like garden lights or pool covers, enhancing your lighting setup.

RM-200 offers a straightforward ON/OFF technology, allowing users to easily switch between RGB light programs by simply toggling the lights.



Specifications

Input Voltage

230 VAC 50Hz

Frequency band transmitter

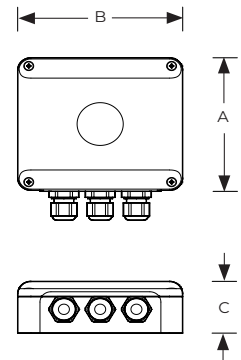
868 MHz

Auxiliary outputs

2 nos.

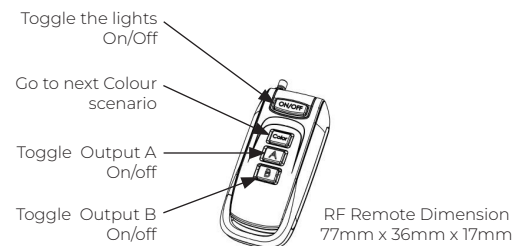
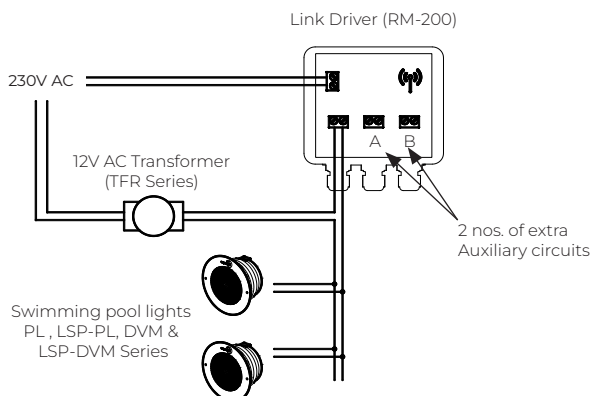
Protection Rating

IP 54



Model No.	Description	A (mm)	B (mm)	C (mm)
RM-200	Link Driver	150	157	51

Typical Wiring Installation



Link Driver	RM Series	Model No. RM-200	Rev. 3	
<p>The information contained in this drawing is the sole property of Aquashi. Any reproduction in part or as a whole without the written permission of Aquashi is prohibited. Aquashi reserves the right to update all designs, specifications and data sheets without prior notice.</p>				