

# AquaScreen

## Function

The AquaScreen is a modular system designed for displaying motion graphics or static images on water. The fine free-falling water droplets create a high resolution rear projection screen engineered for use with lasers, lighting and multimedia projection.

The AquaScreen is created by combining nozzle bars to suit the project requirement. Ideal for events, weddings or any other special occasions, the screen can be installed as a temporary or permanent installation. The display can be enhanced with an audio system and sound effects if required. Designed for easy installation, maintenance and dismantling. The AquaScreen is engineered to avoid noise and splash from water.



## Specifications

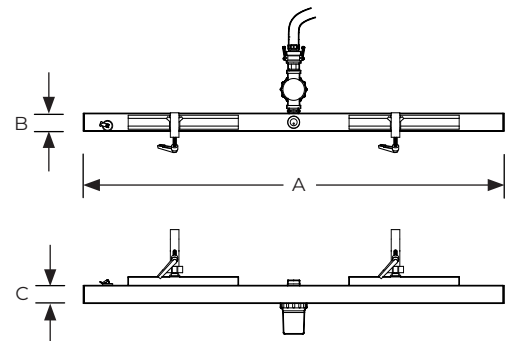
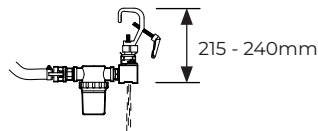
### Materials

High Grade Aluminium Alloy Extrusion

### Weight

4.5 kg ( without water )

6.3 kg ( with water )




### Single AquaScreen Nozzle Bar

Model No.	Inlet (BSP)	A (mm)	B (mm)	C (mm)	Spray Height (m)	1	2	3	4	5
AquaScreen	3/4"	1222	50	75	Flow (LPM)	40	40	40	40	40
					Head (m)	9.4	10.5	12.7	14.9	16.5

\* Contact Aquashi for more information.

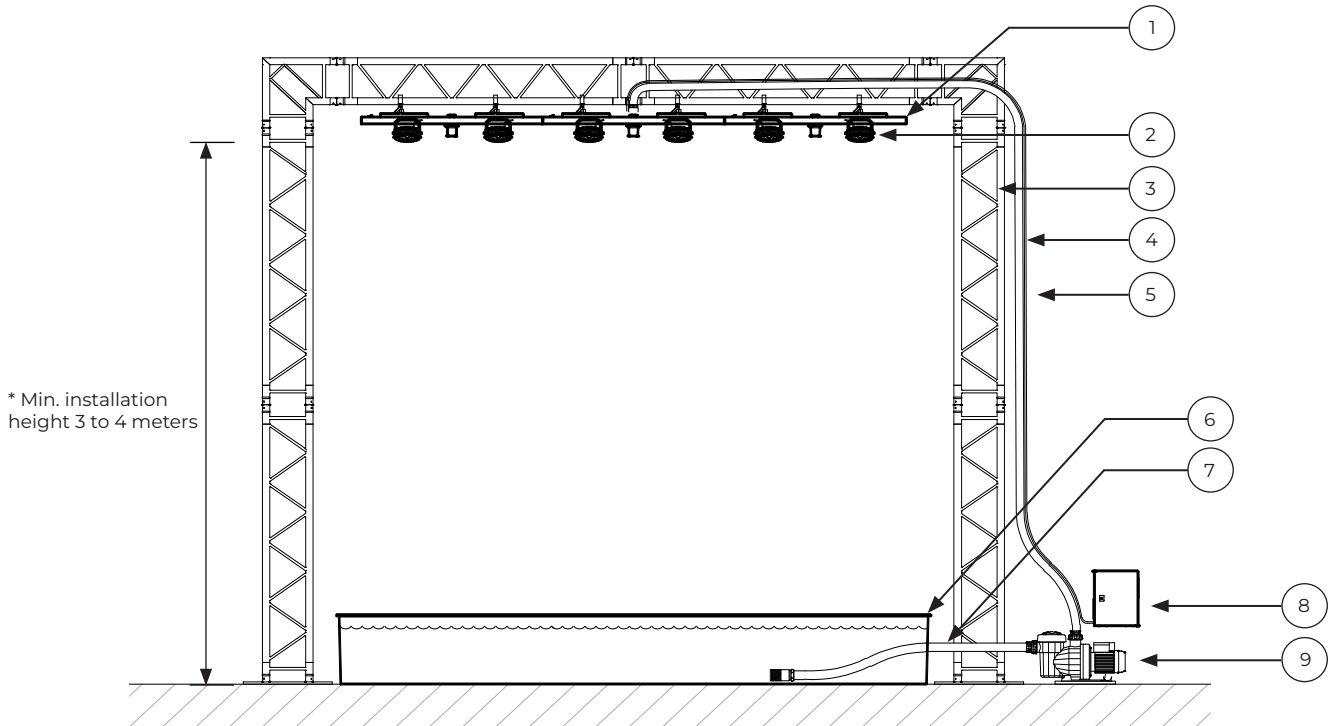
## Sample Installation



AquaScreen	AquaScreen	AquaScreen	Rev. 2	
<p>The information contained in this drawing is the sole property of Aquashi. Any reproduction in part or as a whole without the written permission of Aquashi is prohibited. Aquashi reserves the right to update all designs, specifications and data sheets without prior notice.</p>				

# AquaScreen

## Typical installation set-up " 3.6 meter length AquaScreen rental set "



### 3 meter length AquaFX Parts List

#	Part Name	Qty.	Description
1	AquaScreen unit	3	1.2 meter AquaScreen, with clamps
2	RGBW LED lights	6	Landscaping LED lights with angle adjustments and clamps
3	Truss	1 set	Aluminium truss set, Length = 4 meters, Height = 4 meters
4	Water supply line	1 set	1.5" flexible hose water supply line with complete fittings
5	LED lights cable	6	4 core H07RN-F cable with proper electrical connectors
6	GRP Basin	1	4.5m x 1.4m x 0.5m GRP Basin with Splash mat [ custom Liner basin - Optional ]
7	Water Suction Line	1 set	2" flexible hose water supply line with complete fittings
8	LED light control panel	1	Power and data panel for RGBW LED lights, 230V AC, 50 Hz
9	Quiet Pump	1	Self priming quiet variable pump, Max flow; 10 m <sup>3</sup> /hr, 230V AC, 50 Hz



- \* Required water volume = 3 m<sup>3</sup> ( by others ).
- \* Wiring shall be done by a qualified electrician. Ensure power cables and data cables are terminated securely.
- \* Ensure LED light control panel is earthed.
- \* Pre-assembled 1.2 meter AquaScreen units are used for temporary installation.
- \* Quantity of parts changes depending on the length of the Aquascreen.
- \* Custom length, width and shape available for permanent installation.

AquaScreen	AquaScreen	AquaScreen	Rev. 2	
<p>The information contained in this drawing is the sole property of Aquashi. Any reproduction in part or as a whole without the written permission of Aquashi is prohibited. Aquashi reserves the right to update all designs, specifications and data sheets without prior notice.</p>				