

Plug Drain - DP-S Series

Function

Designed for draining fountain pools for maintenance or winter periods. Supplied with a threaded connection to ensure a water tight fitting, easy installation and removal of the drain plug.

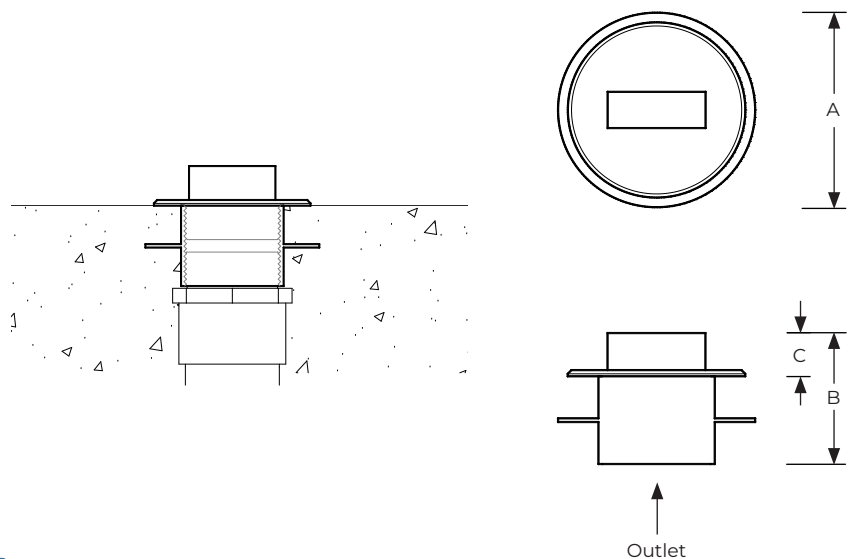
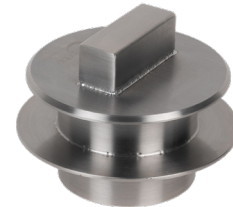
Specifications

Materials


Stainless steel 316

Connection type

Female thread



Model No.	Outlet (BSP)	A (mm)	B (mm)	C (mm)
DP-S200	2"	128	82	25
DP-S300	3"	160	97	25
DP-S400	4"	190	109	25

Drain Plug	DP-S Series	Model No. DP-S	Rev. 0	
<p>The information contained in this drawing is the sole property of Aquashi. Any reproduction in part or as a whole without the written permission of Aquashi is prohibited. Aquashi reserves the right to update all designs, specifications and data sheets without prior notice.</p>				